



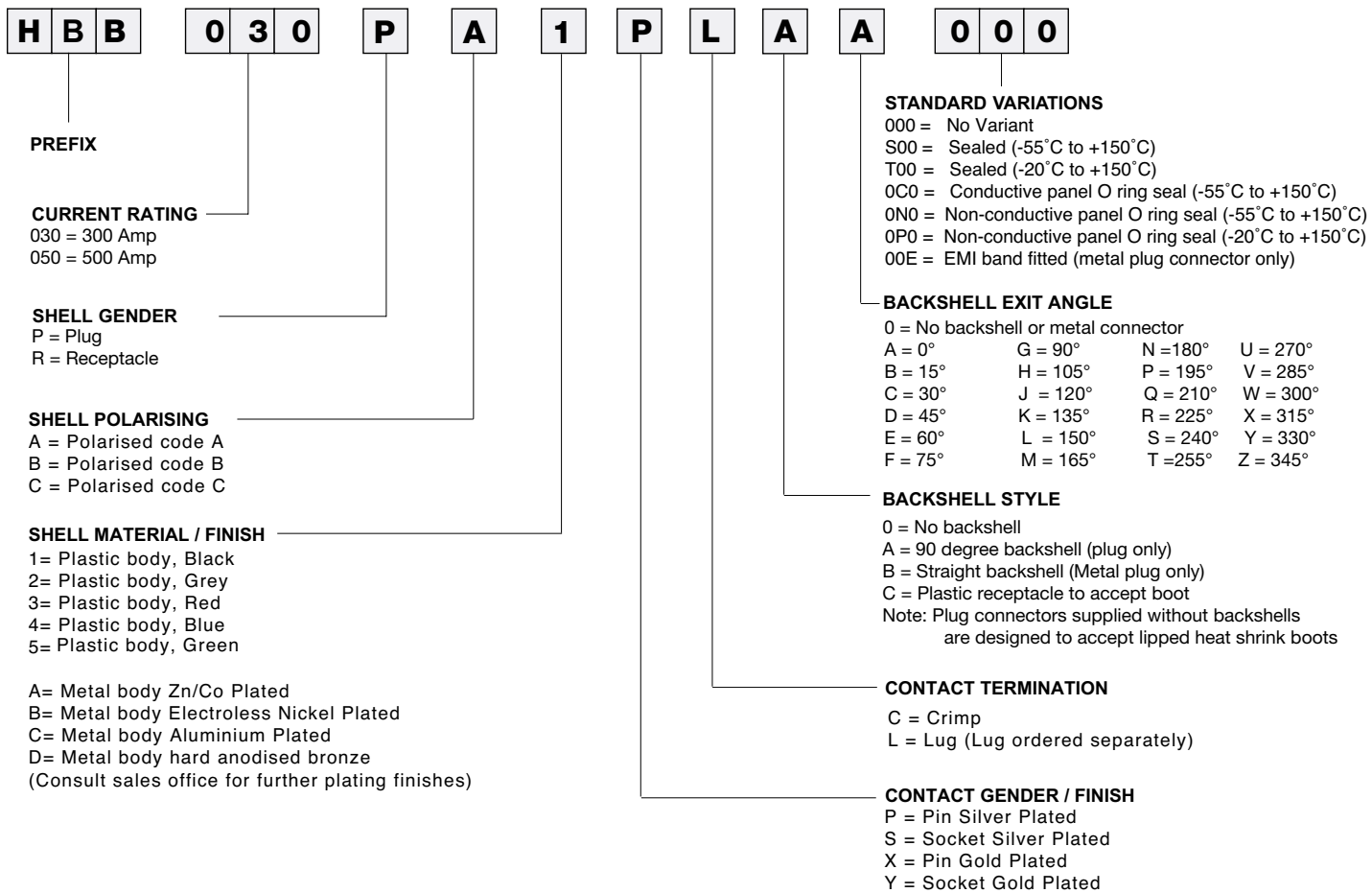
## Single Pole Power Connectors

- Size & Power Options – 300, 500 & 750 Amps
- Quick release metal shell or plastic body depending on customer requirements
- IP67 Rated
- 90 Degree or Straight Cable Entry
- Low Weight & Space Efficient
- Safety features – ask for details
- Applications include Power:
  - Distribution, Delivery, Storage
- Meets the requirements of:
  - “PIT-STOP” Maintenance Programmes
  - The Harshest Environments
  - RFI Screening – optional

## Technical Characteristics

<b>MATERIAL</b>		<b>CONTACT RESISTANCE</b>	300 A - 0,1 m $\Omega$ max 500 A - 0,05 m $\Omega$ max
<b>Insulator</b>	Glass Reinforced Thermoplastic	<b>CURRENT RATING</b>	300 A & 500 A
<b>Contact pin &amp; socket</b>	Copper Alloy	<b>MECHANICAL ENDURANCE</b>	5000 min without EMI band 2000 min with EMI band
<b>Metal Shells</b>	Aluminium Alloy	<b>TEMPERATURE RANGE</b>	Fluorosilicone seals - 55 to 150°C Viton seals - 20 to 150°C
<b>Fixings</b>	Stainless Steel	<b>VOLTAGE RATING</b>	Plastic Connectors 1000 Vdc or AC peak Metal Connectors 750 Vdc or AC peak
<b>Contact Plating</b>	Silver or Gold	<b>IP RATING</b>	IP 67 (when sealed)

## Ordering information

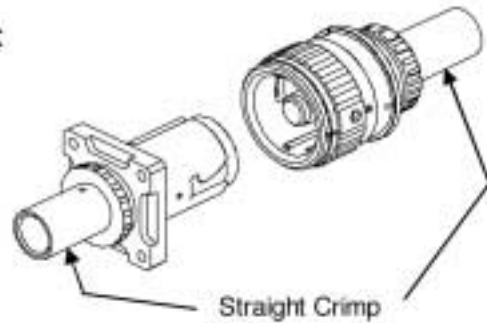


### General Information

#### Straight Crimp Terminations

The following straight crimps are available:

- 300 amp connector 35 & 50mm<sup>2</sup>
- 500 amp connector 70, 95 & 120mm<sup>2</sup>



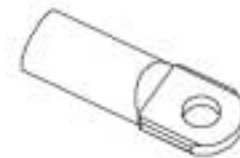
#### Backshell Cable Sizes

These are the maximum size cables that can be accommodated in backshells:

- 300 amp connector 70mm<sup>2</sup> (Ø12mm conductor)
- 500 amp connector 120mm<sup>2</sup> (Ø15mm conductor)

#### Hypertac Crimp Lugs

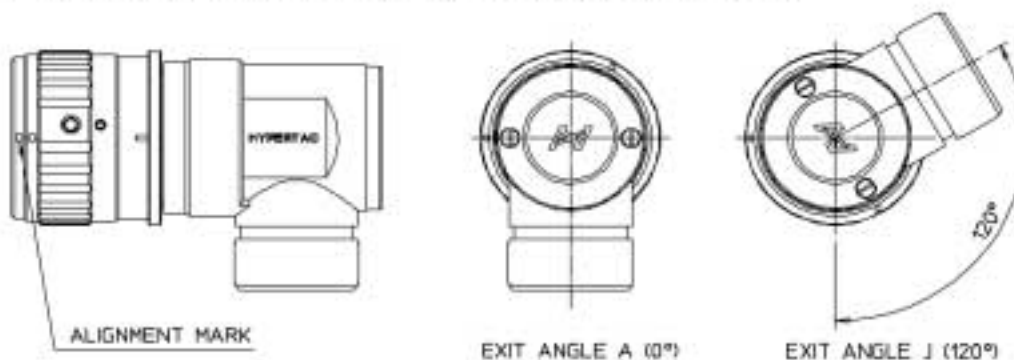
Hole Diameter (mm)	Crimp Size (mm <sup>2</sup> )	Part No.
8	35	HBB-936
8	50	HBB-905
8	70	HBB-910
10	95	HBB-937
10	120	HBB-921



Hypertac crimp lugs must be used with 90° backshell connectors

#### 90° Backshell Exit Angles

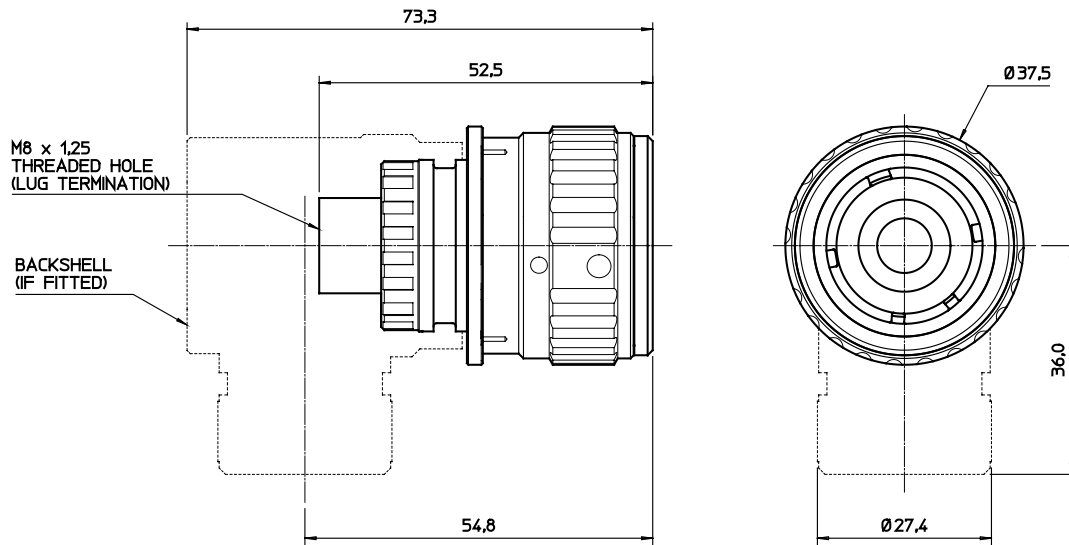
Plastic connectors are supplied with backshells fitted at a specified angle (15° increments) and are not removable, see figure below.



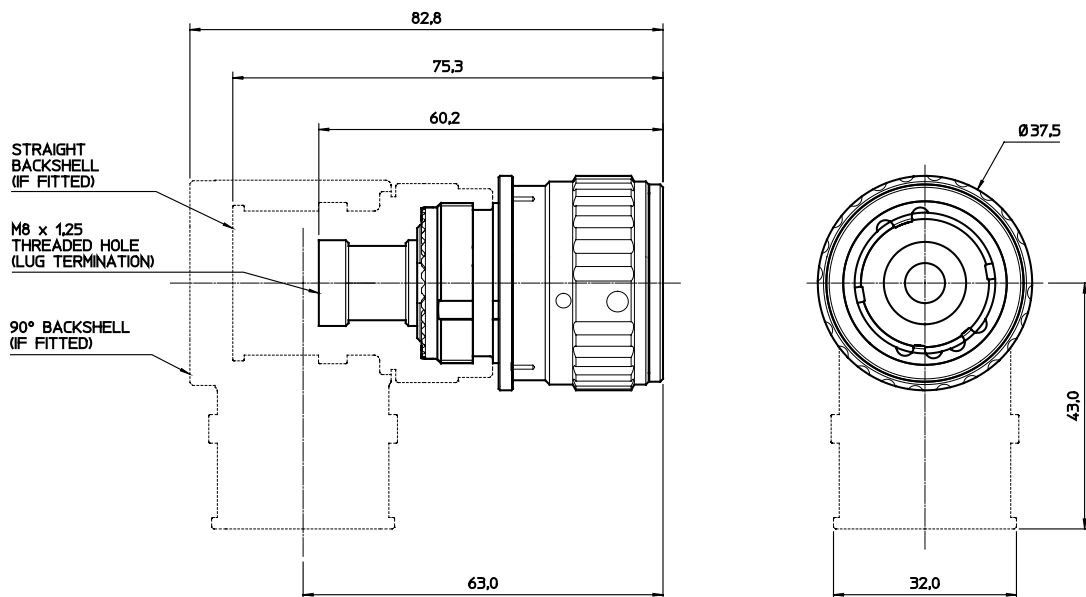
Two examples of backshell exit angles

Metal connectors are supplied with backshells un-fitted.

**Connector variants (300 A - Plastic plug)**

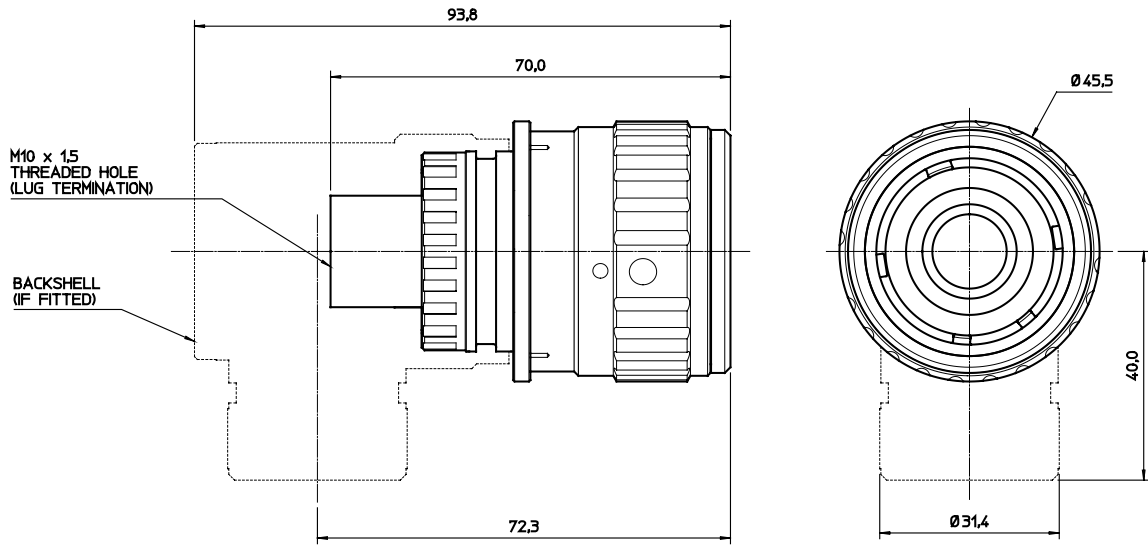


**Connector variants (300 A - Metal plug)**

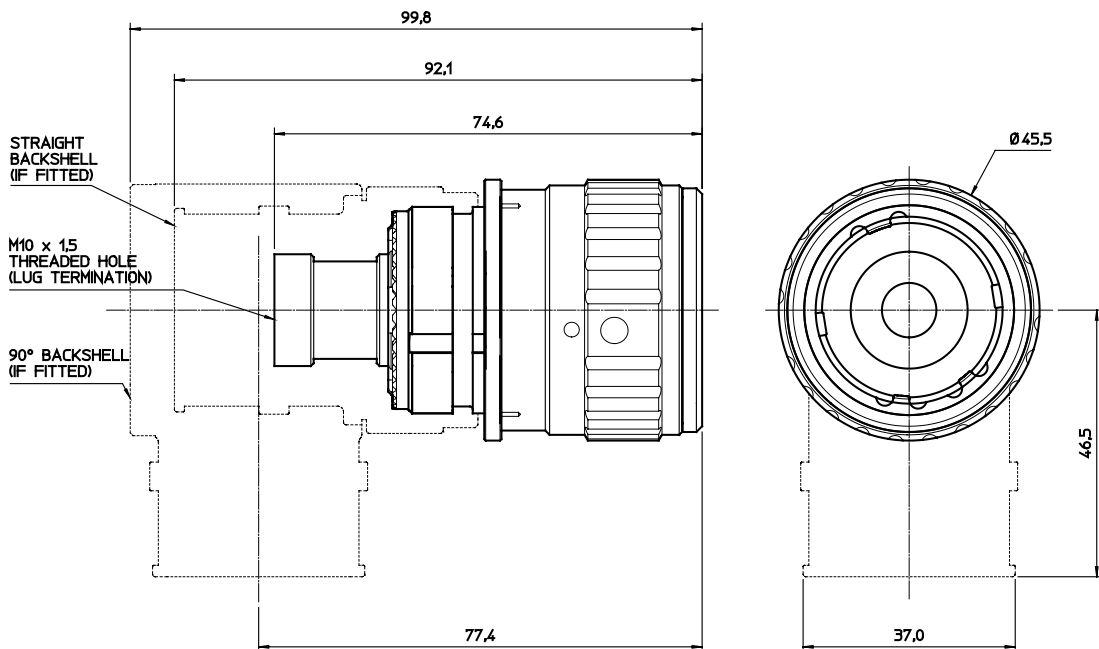


Dimensions are in mm

**Connector variants (500 A - Plastic plug)**

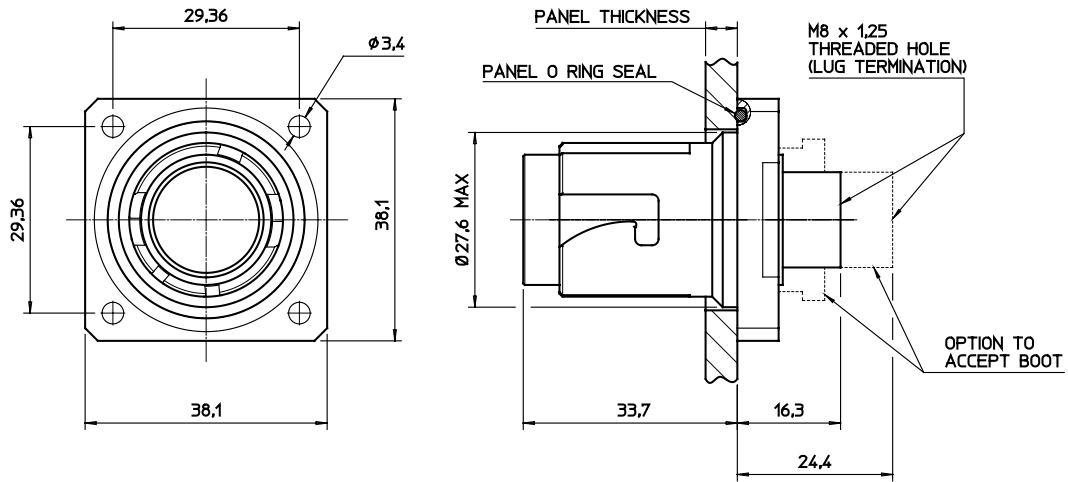


**Connector variants (500 A - Metal plug)**



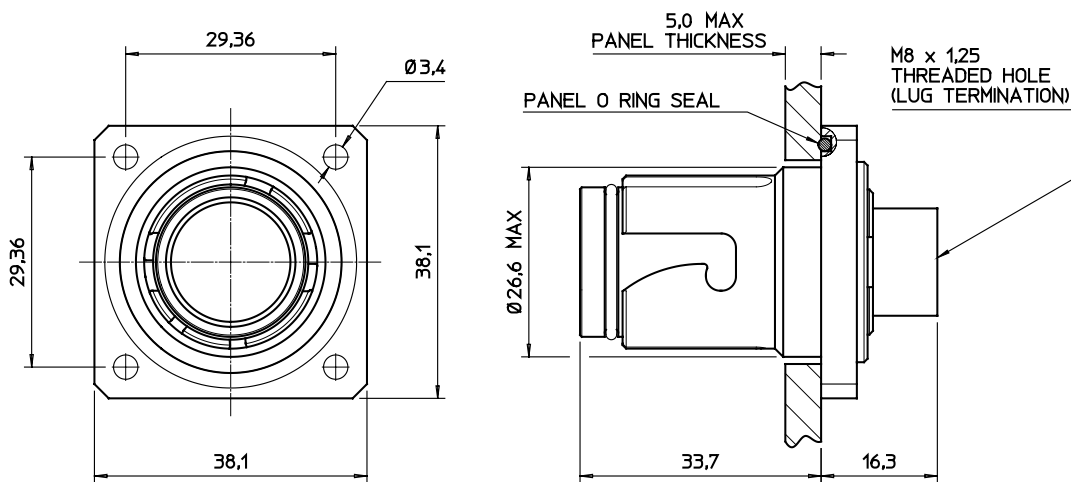
Dimensions are in mm

**Connector variants (300 A - Plastic receptacle)**



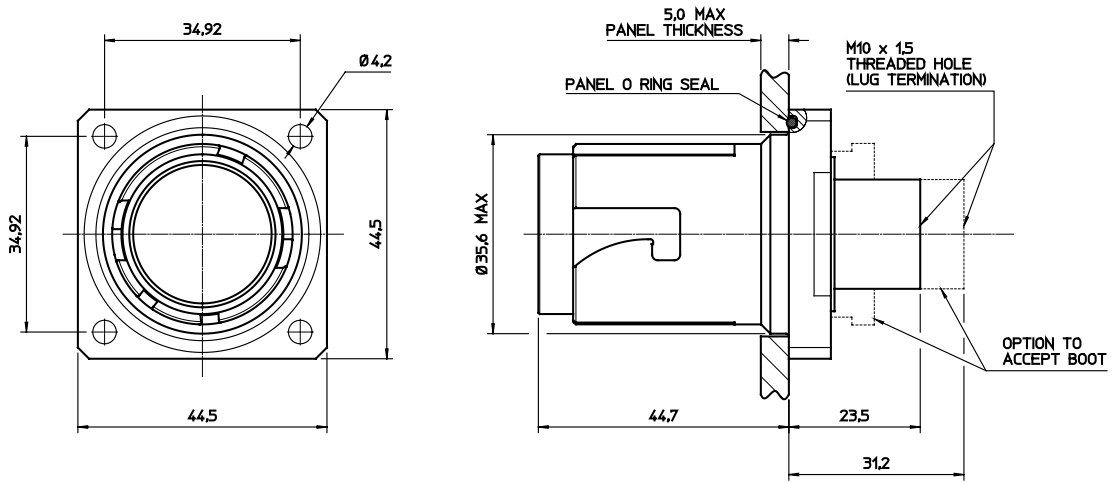
CONNECTOR VARIANTS  
(300 A - Plastic Receptacle )

**Connector variants (300 A - Metal receptacle)**

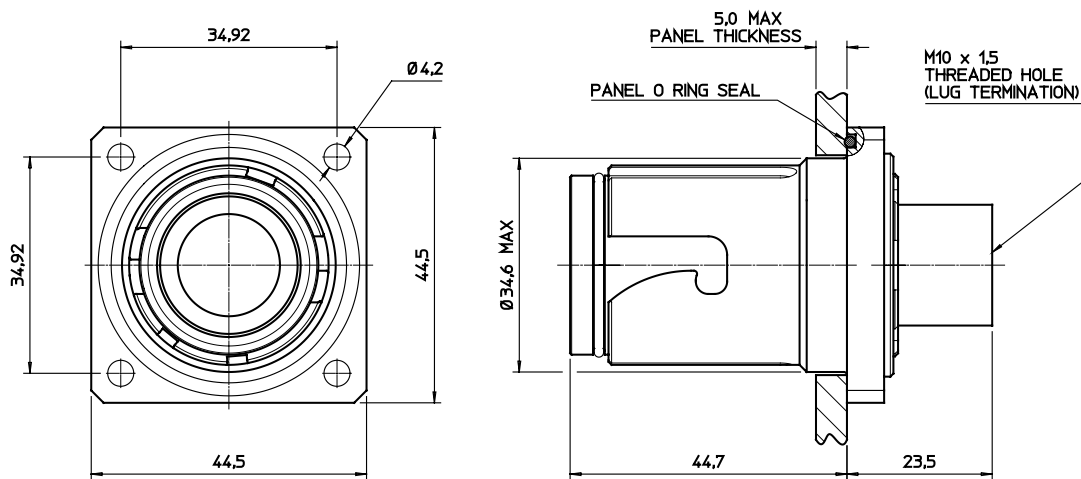


Dimensions are in mm

**Connector variants (500 A - Plastic receptacle)**



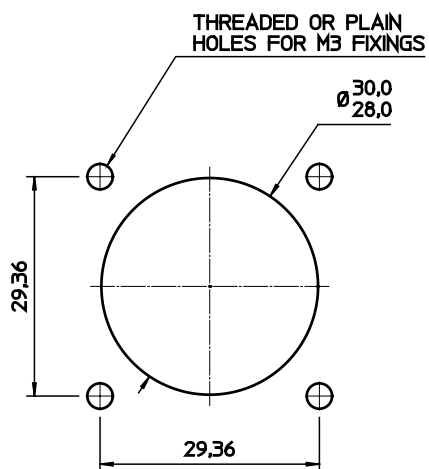
**Connector variants (500 A - Metal receptacle)**



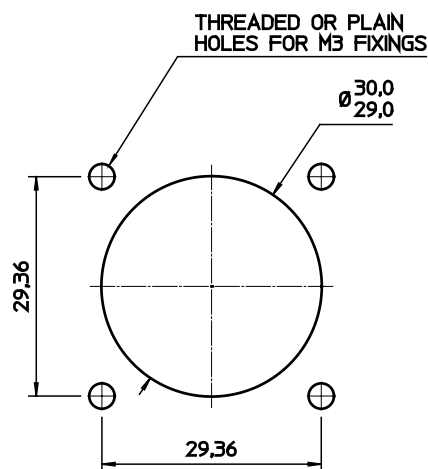
Dimensions are in mm

Panel cutout

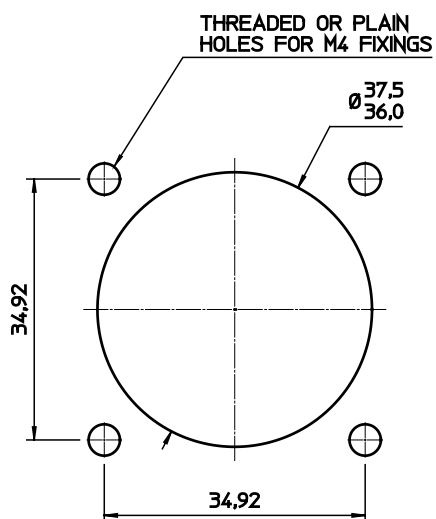
( 300A METAL )



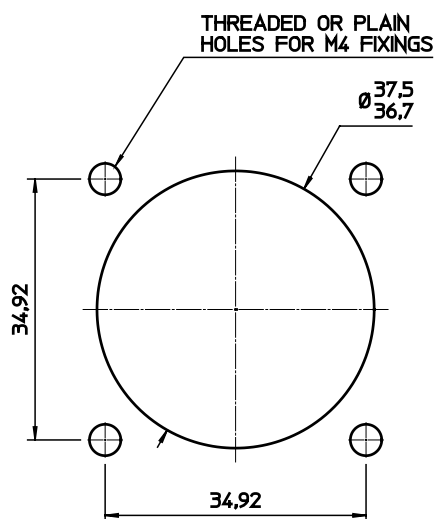
( 300A PLASTIC )



( 500A METAL )



( 500A PLASTIC )



NOTES:

1. MAXIMUM PANEL THICKNESS 5,0.
2. IF PANEL IS MORE THAN 3,0mm THICK FIXING HOLES TO BE CSK OR CHEESE HEAD SCREWS ARE TO BE USED.