



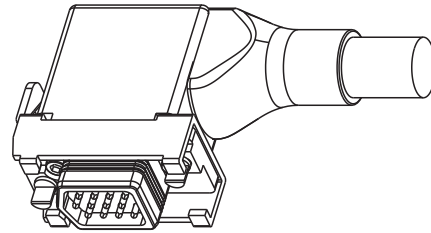
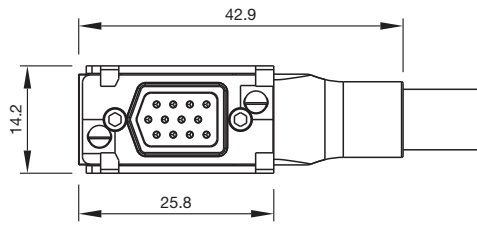
## Miniature Rectangular Connectors

- HyperSpring® spring loaded contacts, self cleaning wiping action
- 12, 21 ways
- Combine robust environmental performance with compact size and light weight
- Easy and fast push-pull locking mechanism
- Full line EMI shielding
- IP67 sealing when mated and unmated
- D-shape hardware coding to avoid mismatching
- Overmolding solutions
- Upgrade commercial high speed Fast Ethernet, USB, IEEE 1394 interconnect to Mil Spec performances
- High-reliability commercial and military interconnect applications: Tactical Computers, Field Radios, Dismounted Soldier, Weapon Interconnect, Battery Chargers, Missiles, Helmet Breakaway System, Commercial Airframe Sensors, Autosport, Diagnostics

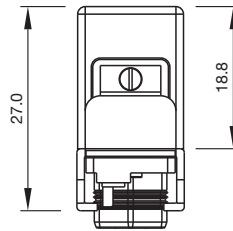
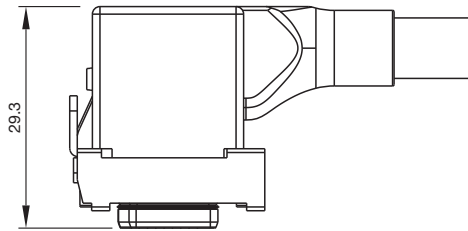
## Technical Characteristics

<b>General</b>		Shock	EIA364.27 Condition G
HyperSpring Contact Number	12, 21	Weight (Plug + Receptacle)	22 g (12 ways) 29 g (21 ways)
Receptacle Contact Termination	Solder Cup, Dip Solder	<b>Materials and Plating</b>	
Plug Contact Termination	Solder Cup	Housing	
Cable Diameter Range	Max 8 mm	- Material	Aluminium Alloy
AWG Contact	30-26	- Plating	ZnCo conductive - RoHS compliant
Hyperspring force (single contact)	Max 1.5 N	Overmolding (Plug)	Thermoplastic hotmelt
Connector Mating Force	50 N (12 ways), 60 N (21 ways)	Contact Plating	
Connector Unmating Force	10 N (after locking system release)	- Material	Brass, CuBe
<b>Electrical and mechanical characteristics</b>		- Plating	Gold
EMI Shielding	Yes	<b>Environmental Characteristics</b>	
Current Rating	3A@25°C	Temperature Range	-65°C +80°C
Test Voltage (dc) Contact to Contact	300 V	Salt Spray	EIA364.26 Condition A mated connectors
Dielectric Withstanding Voltage (between contacts)	500 V	Humidity	EIA364.31 Method IV
Contact Resistance (low level)	<15 m Ohm	IP Level	67 mated and unmated
Insulation Resistance	5000 MOhm @ 500V d.c. (EIA364.21)		
Vibration	EIA364.28 Condition III		

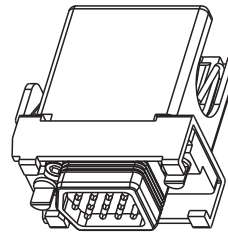
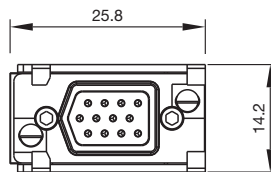
### 12 Ways Plug with Overmoulding and Cabling



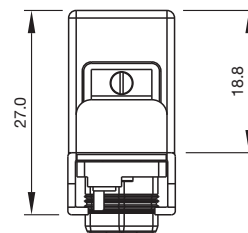
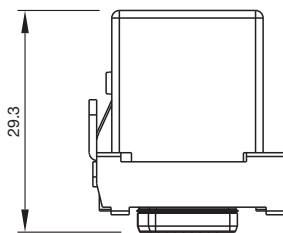
SCALE 1:1



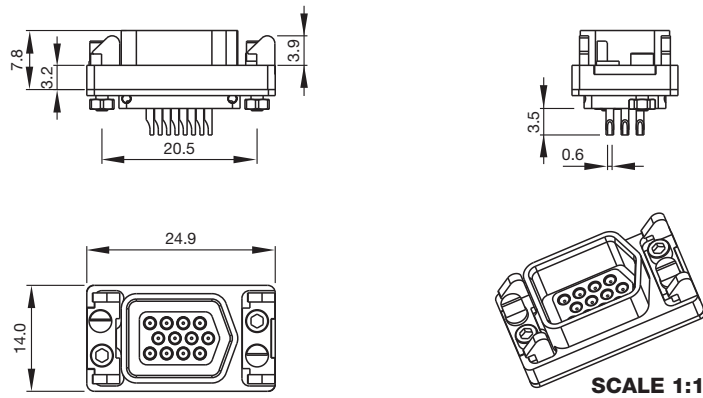
### 12 Ways Plug - Solder Cup Termination



SCALE 1:1

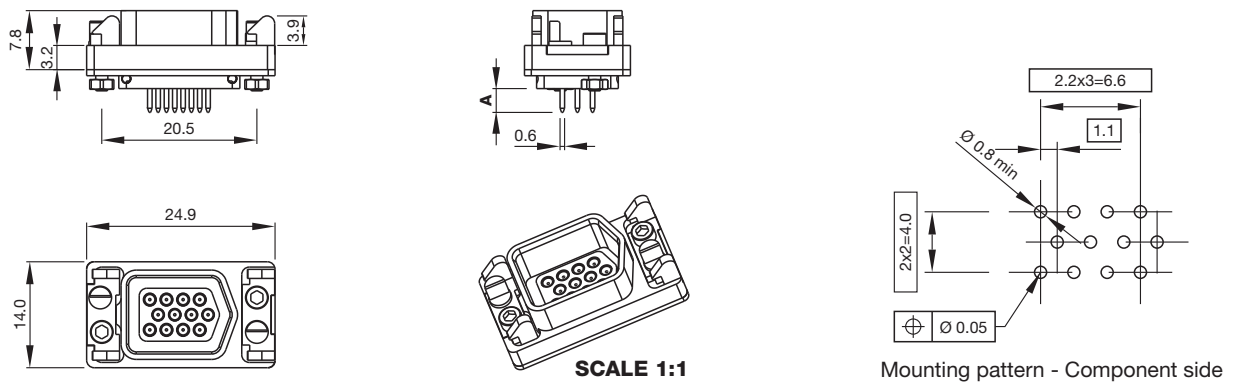


### 12 Ways Receptacle - Solder Cup Termination

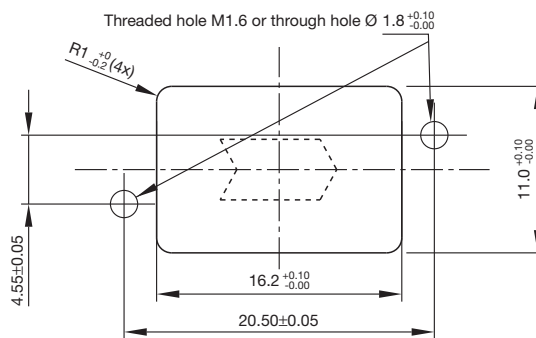


### 12 Ways Receptacle - Dip Solder Termination

	D	L
A	3.15	14

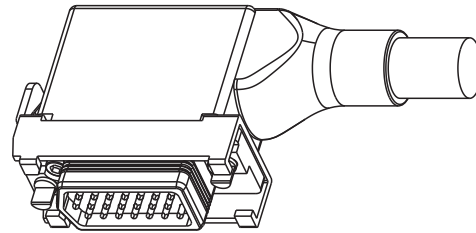
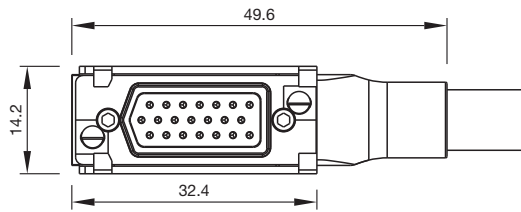


### Panel Cut-out

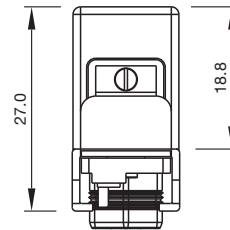
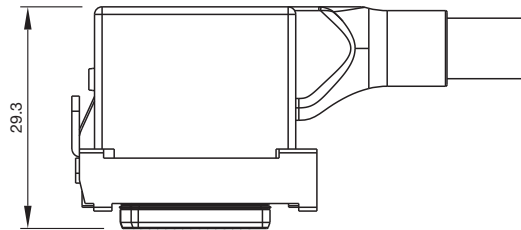


Dimensions are in mm

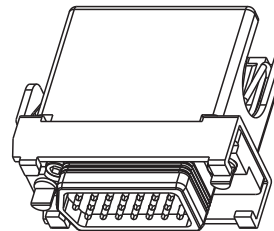
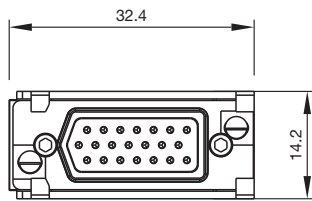
## 21 Ways Plug with Overmoulding and Cabling



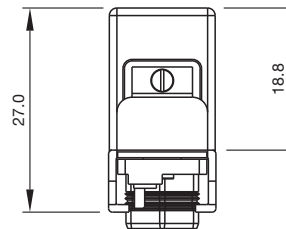
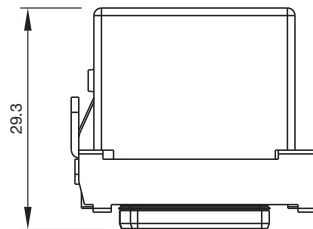
SCALE 1:1



## 21 Ways Plug - Solder Cup Termination

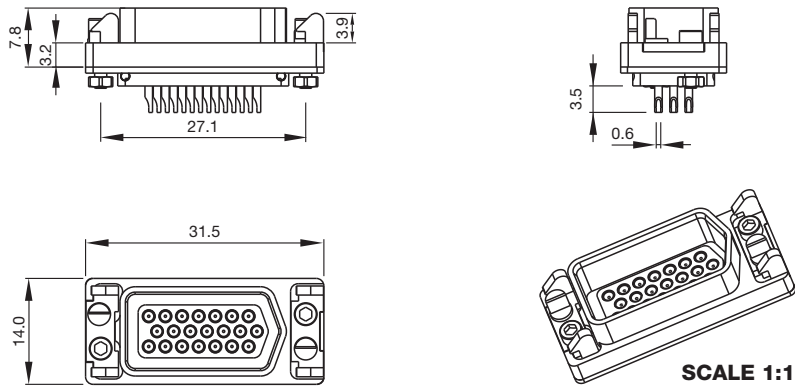


SCALE 1:1



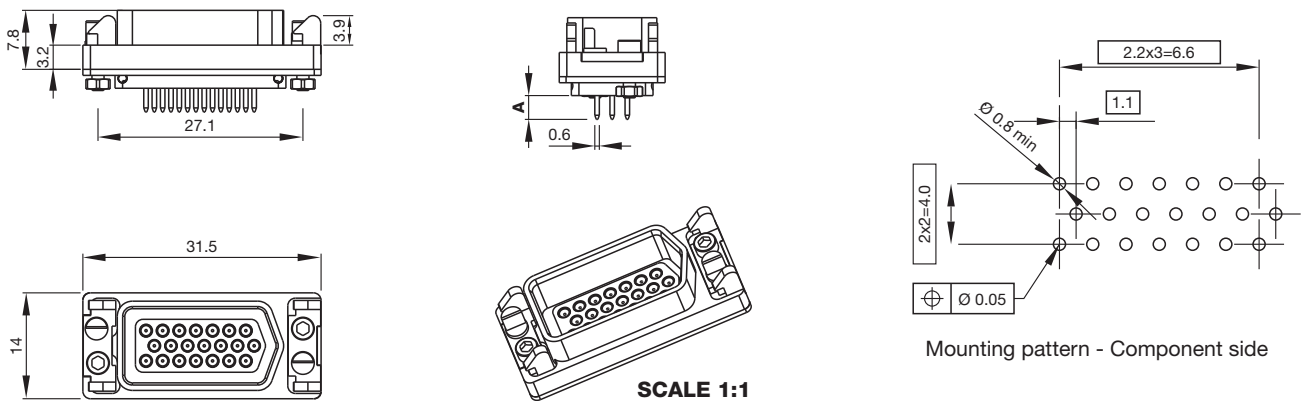
Dimensions are in mm

## 21 Ways Receptacle Solder Cup Termination

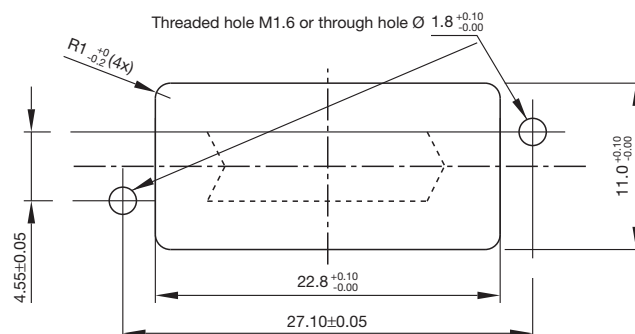


## 21 Ways Receptacle - Dip Solder Termination

	D	L
A	3.15	14

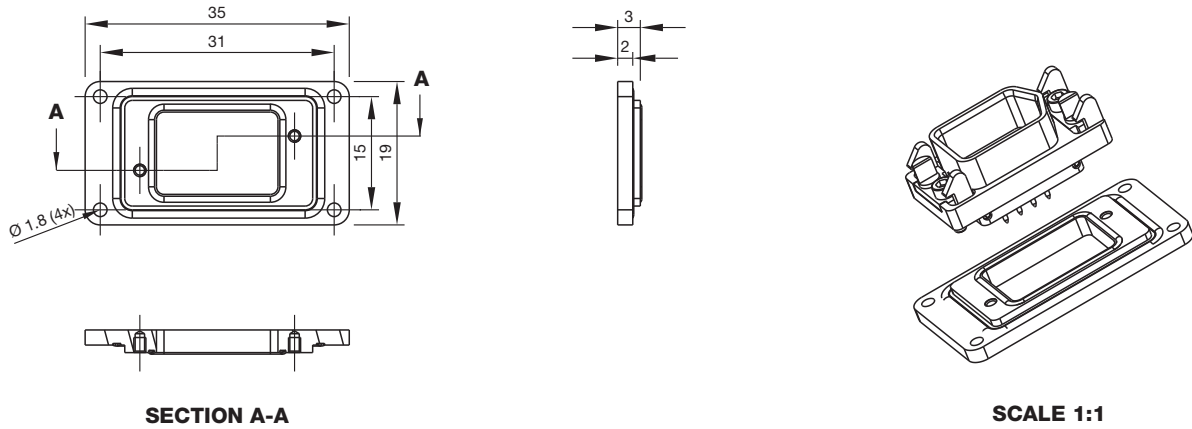


## Panel Cut-out

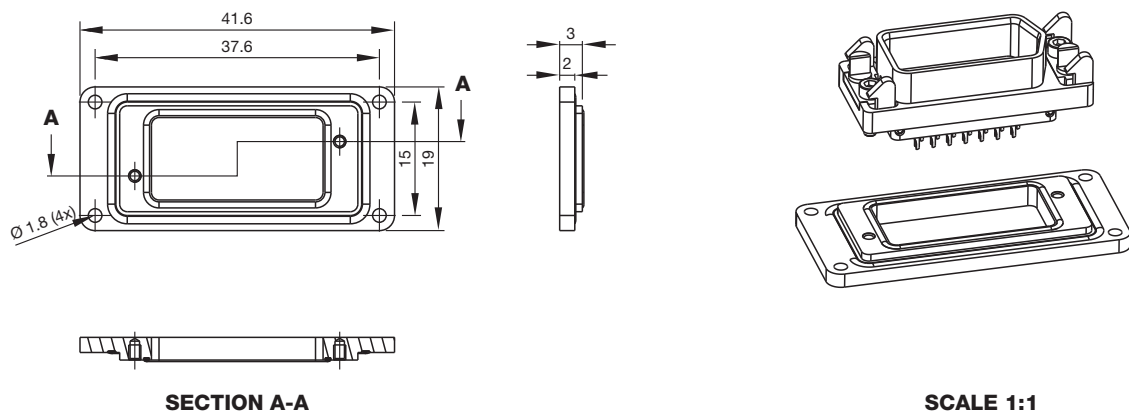


Dimensions are in mm

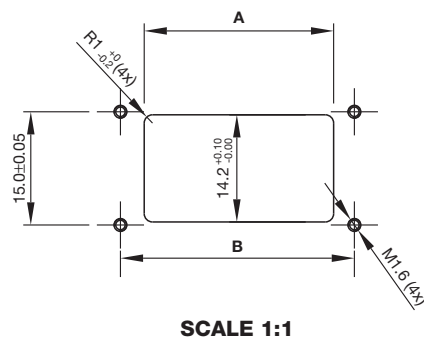
## 12 Ways Flange for Rear Panel Mounting



## 21 Ways Flange for Rear Panel Mounting



## Panel Cut-out



	12 Ways	21 Ways
A	25.1 <sup>+0.10</sup> <sub>-0.00</sub>	31.7 <sup>+0.10</sup> <sub>-0.00</sub>
B	31.0 ±0.05	37.6 ±0.05