



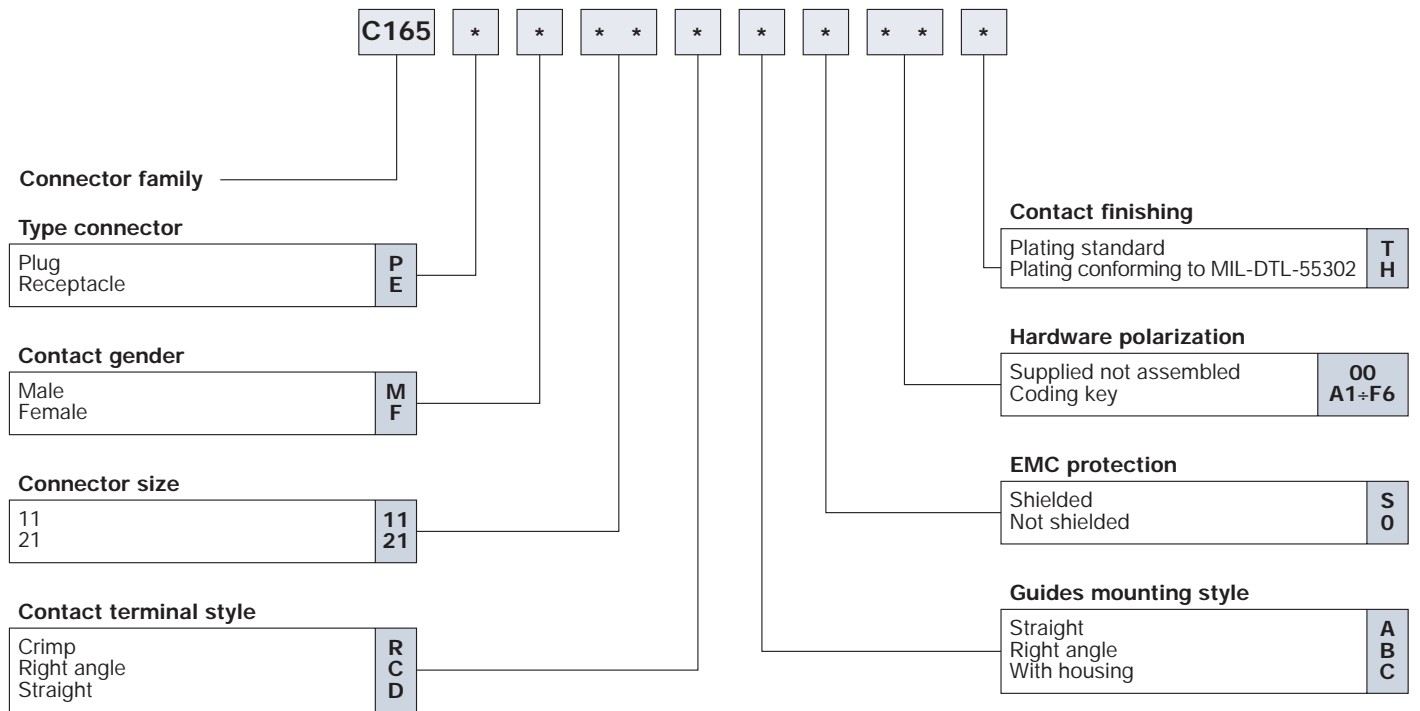
2 Contact Row, Plastic Shell Shielded, D-Type Connectors

- 5.6 mm offset-grid contact layout, two contact rows within dielectric connector body.
- 1.0 mm nominal pin DIA contact size; 11 and 21 contact positions; PCB straight, PCB right angle and crimp contact termination types.
- High shock and vibration proof (no micro interruptions - test: 2ns). In continuity greater than 2ns.
- For Mass Transit, Test and Measurement and Industrial applications.

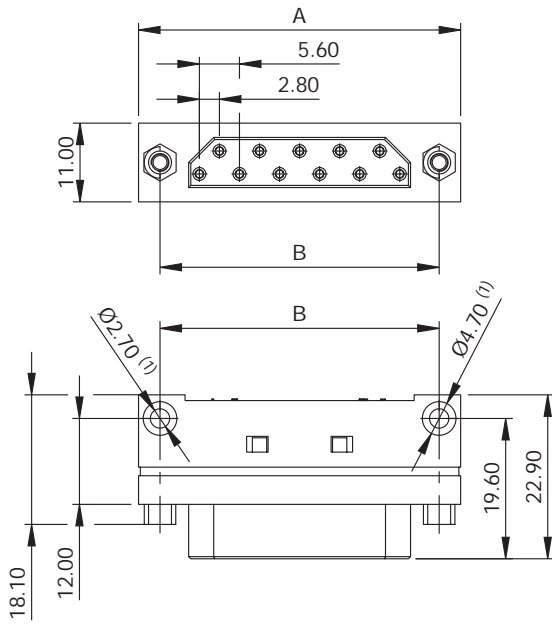
Technical Characteristics

Contact Number	11, 21
Contact Diameter	1.0 mm nominal pin DIA
Insulator	Polyamide 6,6 25% glass filled, V0 per UL94 & polycarbonate V0 per UL94
Contact Plating - Material - Plating	Brass Gold
Dielectric Withstanding Voltage	1500 VRMS
Current Rating	10A at 25 °C
Insulation Resistance	>5x10 ³ MΩ at 500 V dc
Separation Force	<200g./cont.
Contact Life Cycle	Over 2.000 insertion and withdrawal cycles
Temperature Range	-40 °C to +125 °C

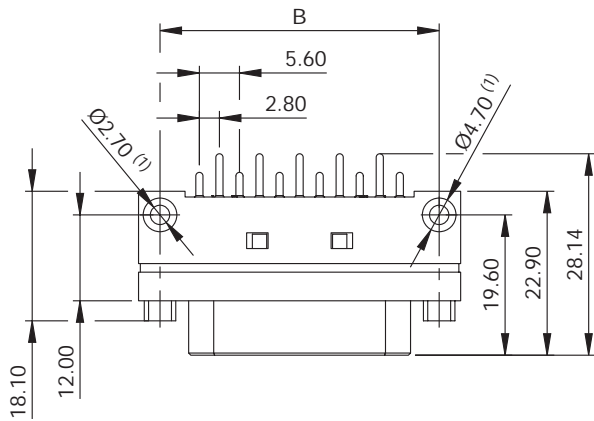
Ordering Information



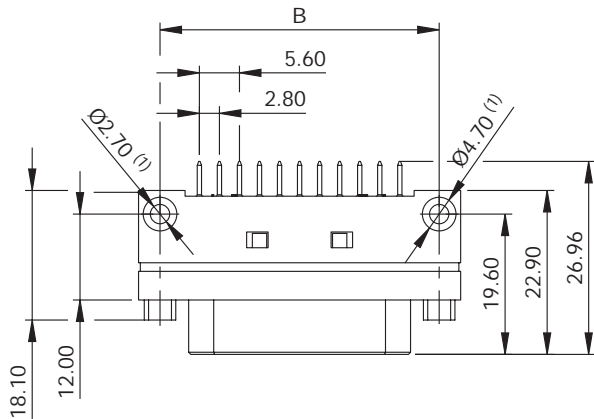
Plug and receptacle female connectors



No of contact	11	21
A	45	73
B	39	67



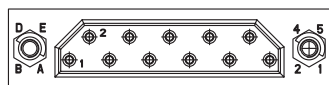
C165*FR******
 P or E
 11 or 21
 A or B
 S or 0
 T or H
 00 or A1+F6



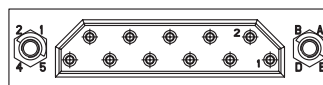
C165*FCB******
 P or E
 11 or 21
 S or 0
 T or H
 00 or A1+F6

Connector marking

Plug female



Receptacle female



Notes

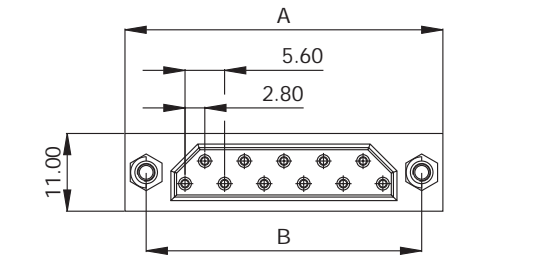
(1) For locking screw dimensions see section "Mounting instructions"

(2) Socket contact: spare parts ordering ref. 19807/***

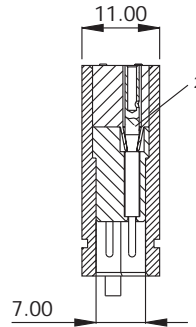
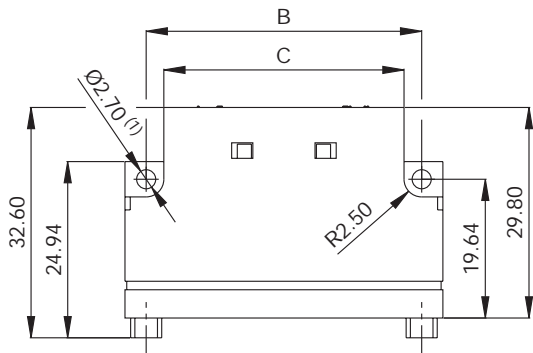
— Z52 for plating standard
 — Z70 for plating conforming to MIL-STD-55302

Dimensions are in mm

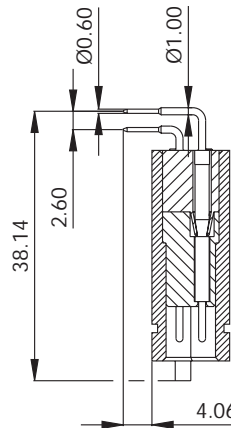
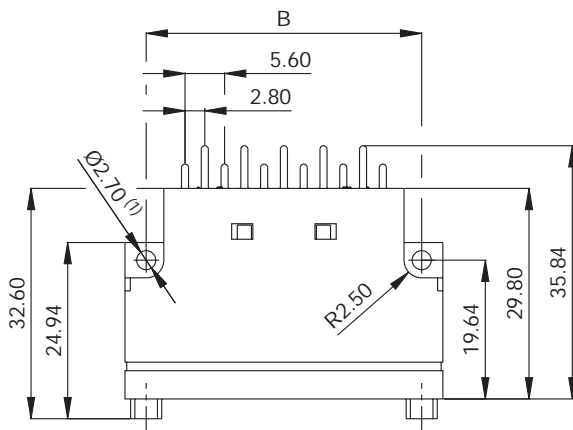
Plug and receptacle male connectors



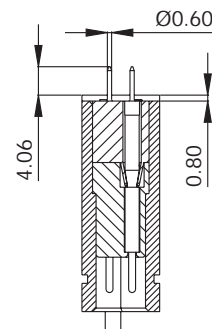
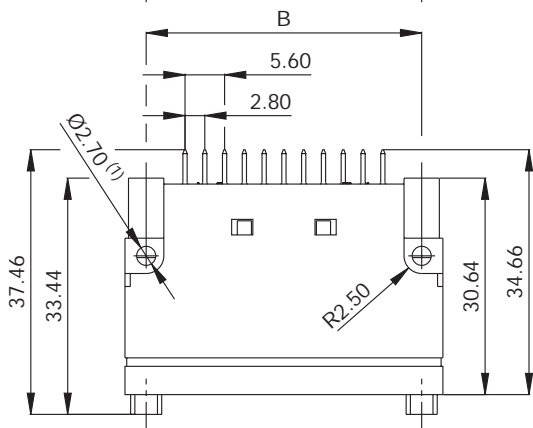
No of contact	11	21
A	47	73
B	39	67
C	34	62



C165*MR******
 P or E T or H
 11 or 21 00 or A1+F6
 A or B
 S or 0



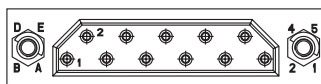
C165*MCB******
 P or E T or H
 11 or 21 00 or A1+F6
 S or 0



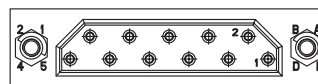
C165*MDA******
 P or E T or H
 11 or 21 00 or A1+F6
 S or 0

Connector marking

Plug male



Receptacle male



Notes

(1) For locking screw dimensions see section "Mounting instructions"

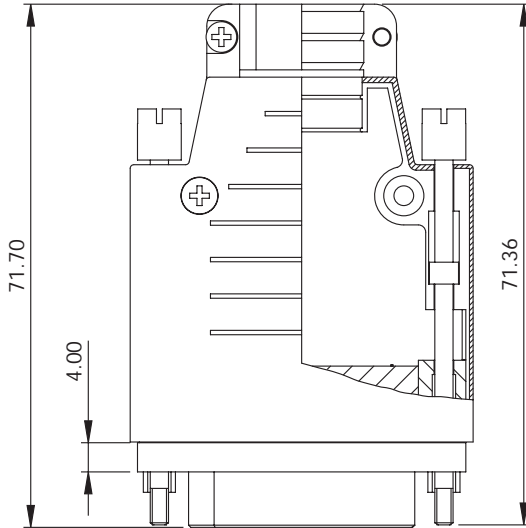
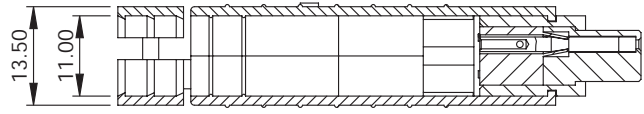
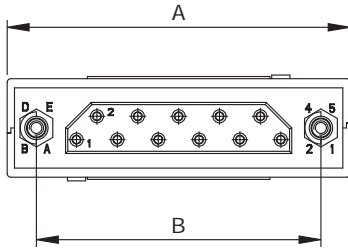
(2) Pin contact: spare parts ref. order 19815/***

└ T12 for plating standard

└ T15 for plating conforming to MIL-STD-55302

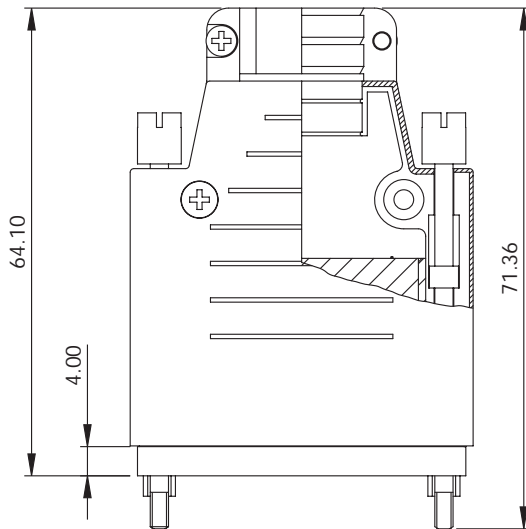
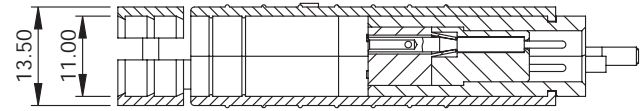
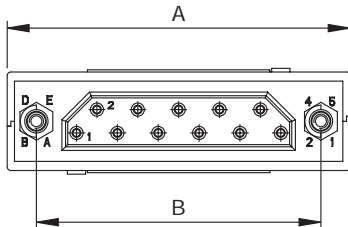
Dimensions are in mm

Plug male or female connectors with shell



C165PFRC******

11 or 21 ——— T or H
S or 0 ——— 00 or A1+F6



C165PMRC******

11 or 21 ——— T or H
S or 0 ——— 00 or A1+F6

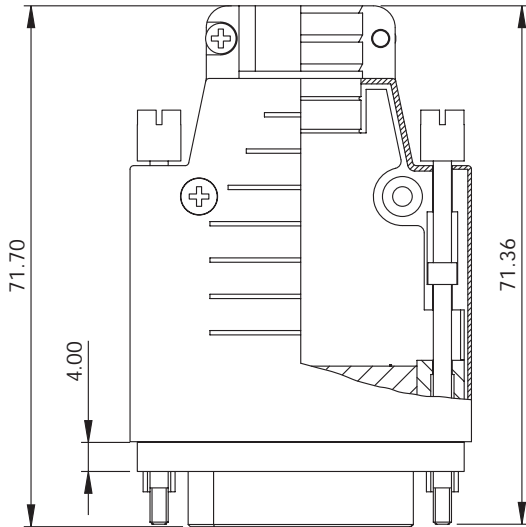
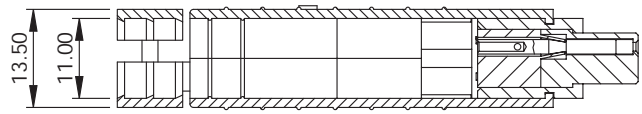
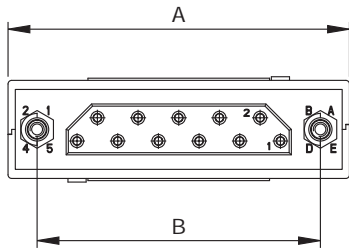
No of contact	11	21
A	47	75
B	39	67

Notes

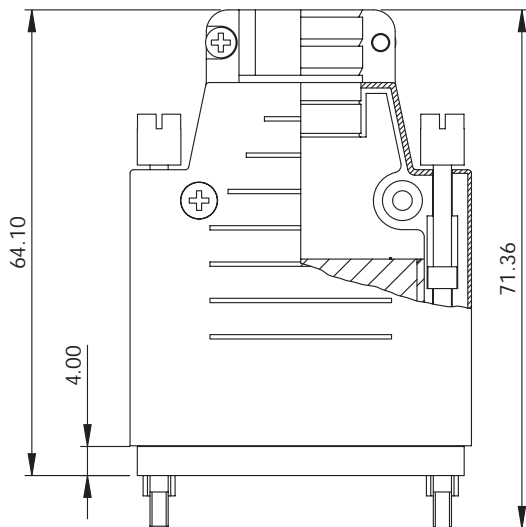
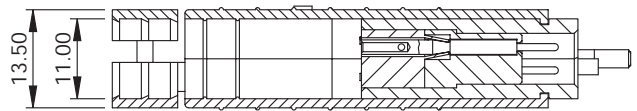
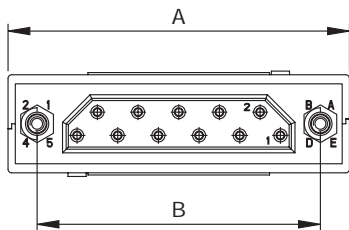
(1) For locking screw dimensions see section "Mounting instructions"

Dimensions are in mm

Extender male or female connectors with shell



C165EFRC******
 11 or 21 ——— T or H
 S or 0 ——— 00 or A1+F6

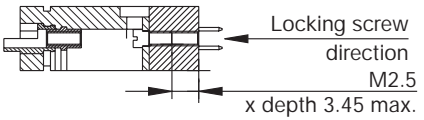
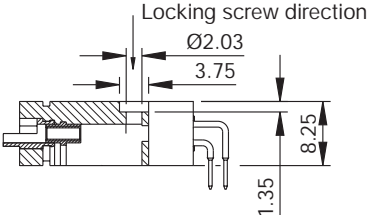
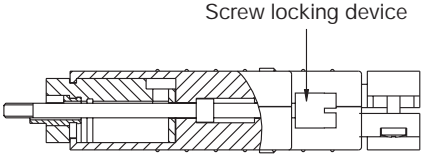
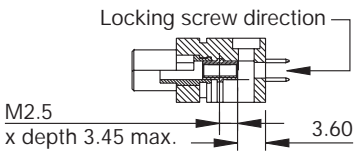
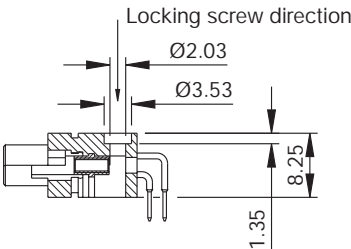
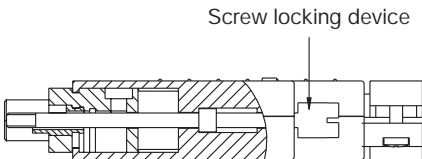


C165EMRC******
 11 or 21 ——— T or H
 S or 0 ——— 00 or A1+F6

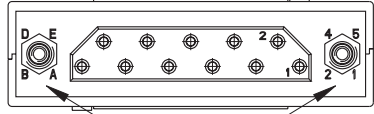
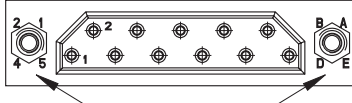
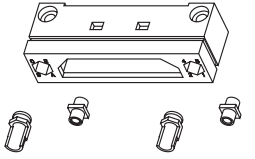
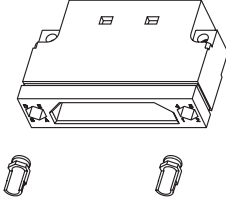
No of contact	11	21
A	47	75
B	39	67

Notes
 (1) For locking screw dimensions see section "Mounting instructions"

Mounting instructions, Hardware polarization and Crimping instructions

Straight mounting Ref. A	Right angle mounting Ref. B	Plug shelled mounting Ref. C
<p>Pin contact</p> 	<p>Pin contact</p> 	<p>Pin contact</p> 
<p>Socket contact</p> 	<p>Socket contact</p> 	<p>Socket contact</p> 

Hardware polarization ⁽¹⁾

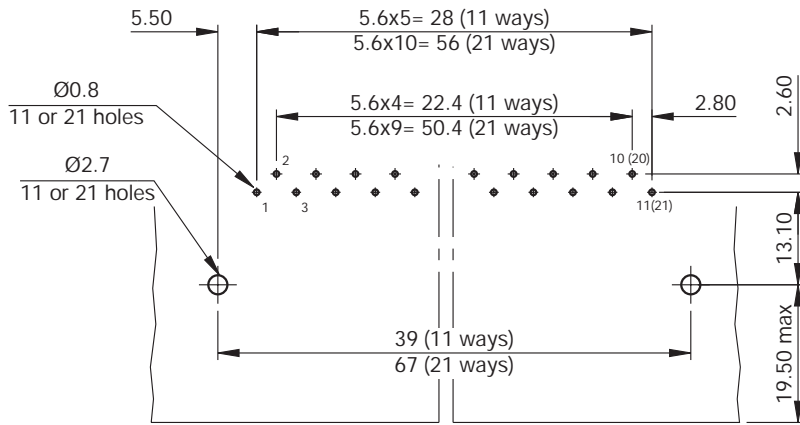
<p>Plug</p>  <p>Notes:</p> <ul style="list-style-type: none"> - C, F letters and 3,6 numbers not marked - 36 possible combination A+F, 1+6 	<p>Receptacle</p>  <p>Notes:</p> <ul style="list-style-type: none"> - C, F letters and 3,6 numbers not marked - 36 possible combination A+F, 1+6
 <p>Body for socket contacts</p>	 <p>Body for pin contacts</p>

Crimping instructions

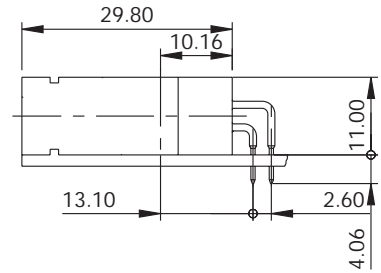
Barrel size: AWG20-22
 Crimping toll: M22520/1-01 (ordering ref. AF8)
 Crimping positioner: ord. ref. 22522
 Stripping length: 6.7±7.1 mm
 Contact removal tool: ref. order 19895

Notes
⁽¹⁾ Coding keys shall be snapped inside the body

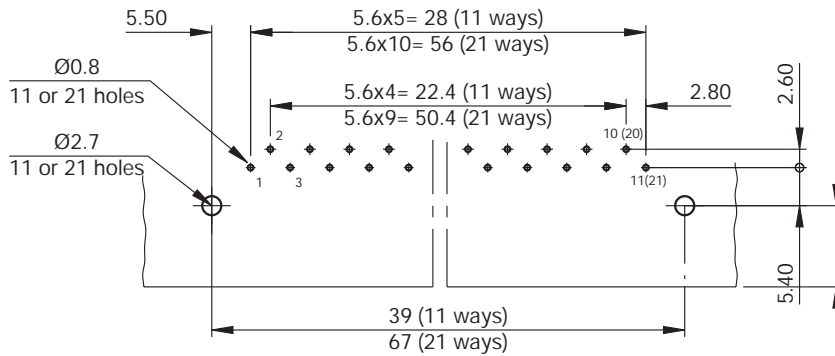
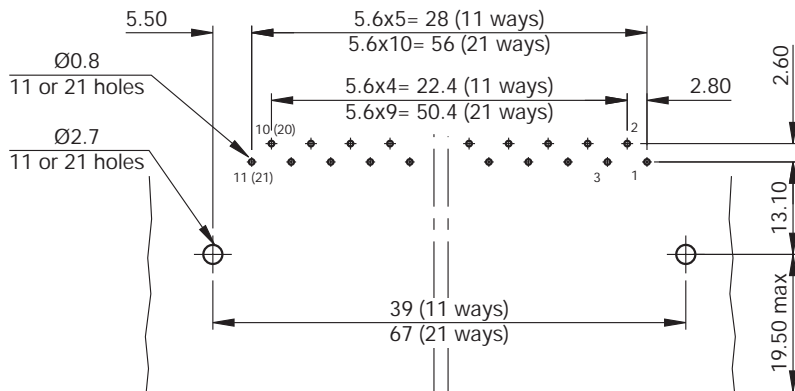
Mounting pattern, right angle mounting style (ref. B)



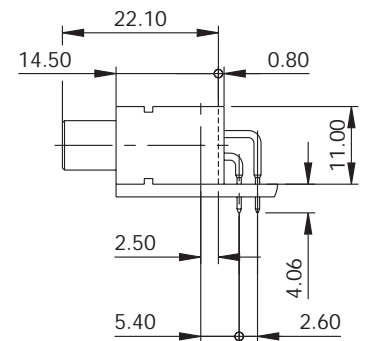
Receptacle connector with pin contact
- components side -



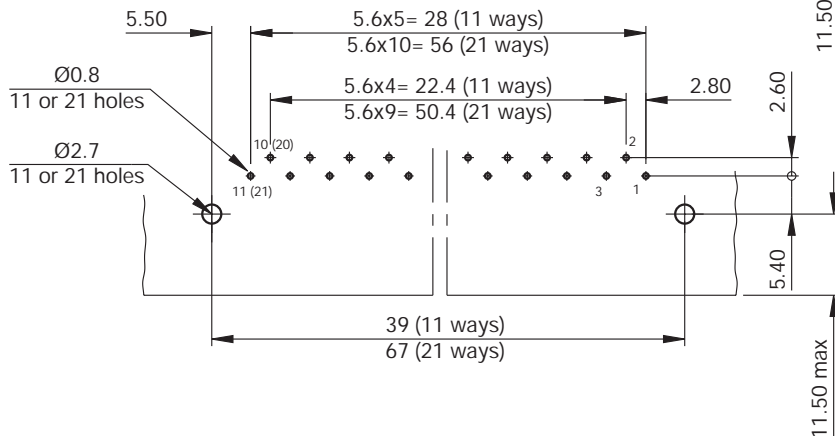
Plug connector with pin contact
- components side -



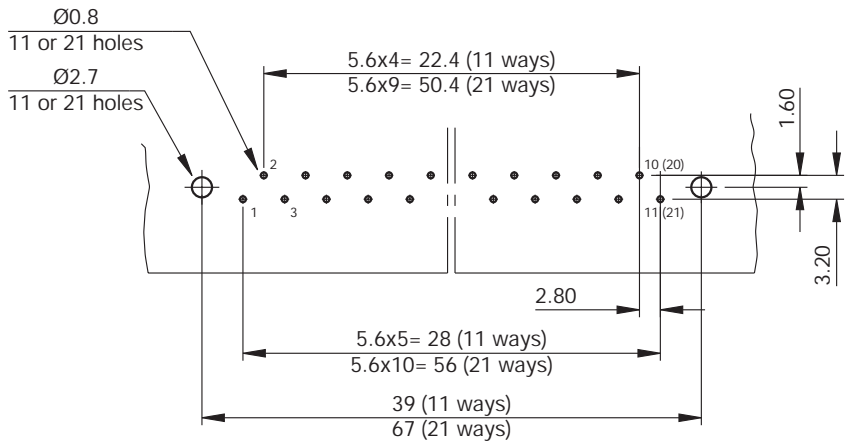
Receptacle connector with socket contact
- components side -



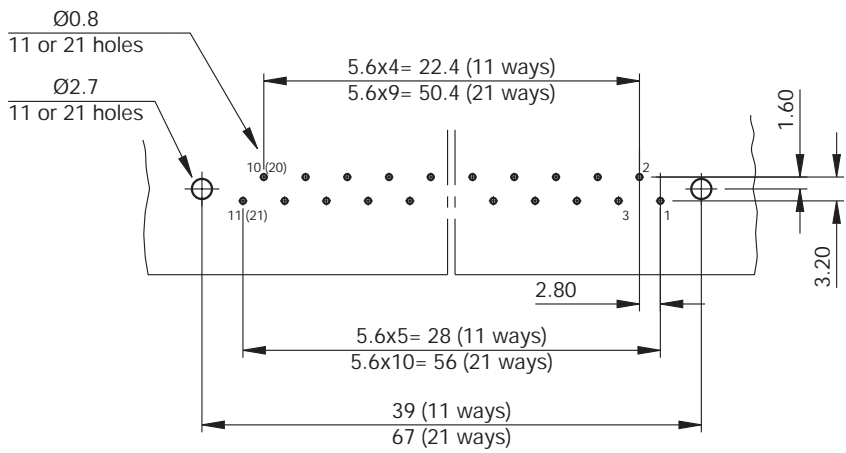
Plug connector with socket contact
- components side -



Mounting pattern, straight mounting style (ref. A)



Receptacle connector with pin or socket contact - components side -



Plug connector with pin or socket contact - components side -

