

Car-to-Car Rectangular Couplers

- Heavy duty modular interconnection system
- Up to 560 signal contacts
- Up to 650 Amps continuous current
- Mating safety by guiding & coding pins
- IP68 sealing, corrosion resistant
- Secured locking by 4 controlled torque screws
- Shock and vibration proof

The FH series is derived from the Hypermod technology and uses the same frames, modules and contacts. This range has been extended with new modules and contacts to offer up to 650 Amps.

Technical Characteristics

MATERIALS & FINISHES			
Contact			
Pin & socket body	Brass & Au/Ni		
Socket wires	Copper alloy & Au/Ni		
Shell	Aluminium alloy, grey paint		
Screws	Stainless steel, Zinc plated		
Insulators: smoke and toxicity according to NF F 16-101 & NF F 16-102	Thermoplastic		
ENVIRONMENTAL			
Temperature range	-40°C + 125°C		
Salt spray	240h (720h special conditions)		
Sealing level	IP68 (when mated)		
ELECTRICAL			
Contact	Ø 1.5 mm	Ø 7mm	Ø 15mm
Wire sizes	0.22 - 1.91mm≈	35 - 70mm≈	95 - 240mm≈
Current rating	8Amps	260Amps	650Amps
Withstanding voltage	630V	3000V	4000V
Proof voltage	4kV	18KV	25KV
Contact resistance	5mΩ	0.5mΩ	0.2mΩ
Insulation resistance	10 ³ MΩ	10 ³ MΩ	10 ³ MΩ

High Speed Contacts

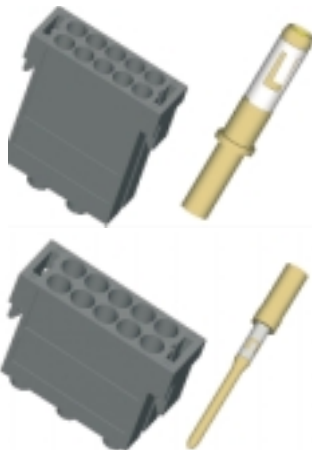
Hypertac offers a complete range of High Speed contacts, from Radio Frequency to Fibre Optic. The RF range includes Coax, Twinax, Triax and Quadrax contacts, with characteristic impedances up to 150V and is easily adaptable to your selected cable type.

Ordering information

SERIES		FH	--	-	-	---	--	--	--
PART / POLARITY / PLATING									
EM	Male receptacle								
PF	Female plug								
FRAME NUMBERS									
1	2	3	4						
ENVIRONMENTAL CATEGORY									
N	Not shielded								
A	Shielded								
R	Black paint (harsh environment)								
LAYOUT									
According to module configuration: consult factory									
CODING OPTION									
00	Without coding pins								
--	Custom coding: consult factory								
CABLE EXIT									
00	Without cable exit								
01	With 2 off M63								
02	With 2 off M40								
03	With 1 off M50 + 1 off M40								
--	Custom: consult factory								
CABLE GLAND OPTION									
-	Consult factory								

Modules*

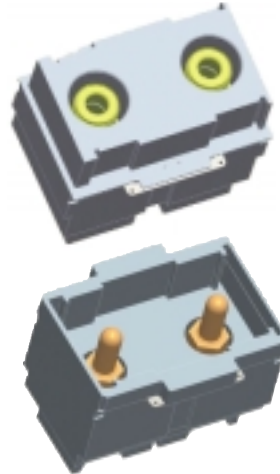
10 contacts Ø1.5mm (8Amps)



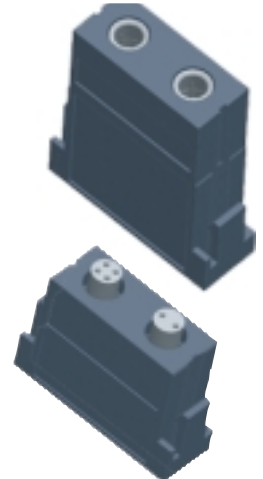
Power contact Ø7mm (260Amps)



Power contact Ø15mm (650Amps)

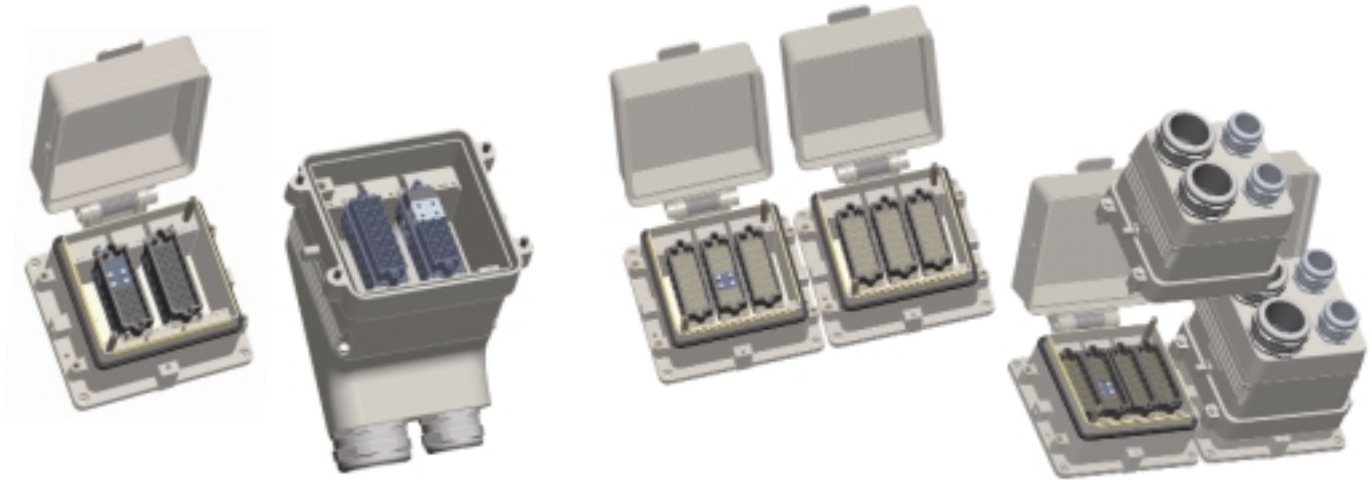


Twinax, Quadrax, Fibre Optic

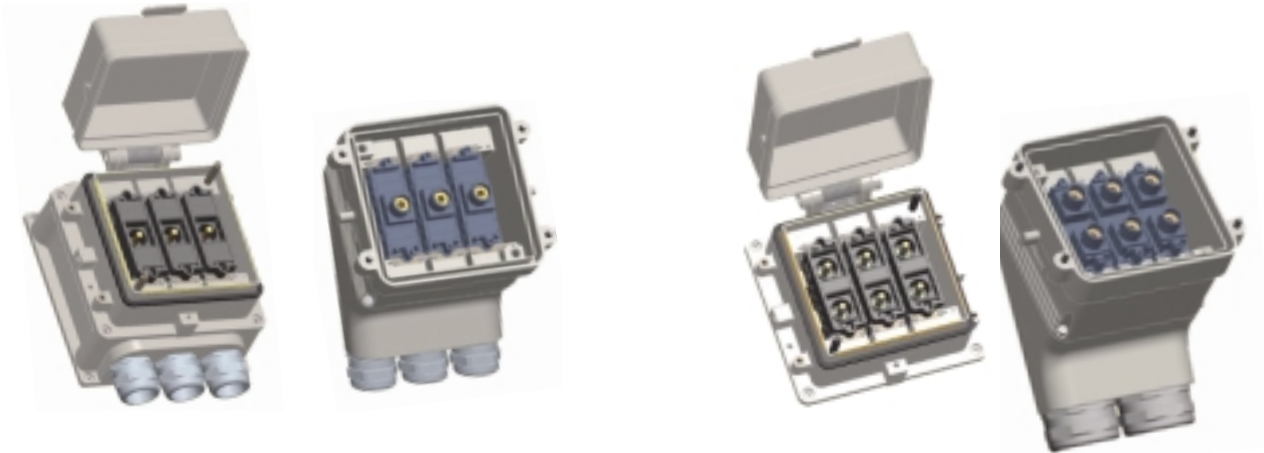


* The modules shown above are according to NF F 61-030 for Railway applications. All Hypermod modules and frames are compatible with the FH series. Please refer to the Hypermod catalogue.

**Example of layouts
Signal contact distribution**

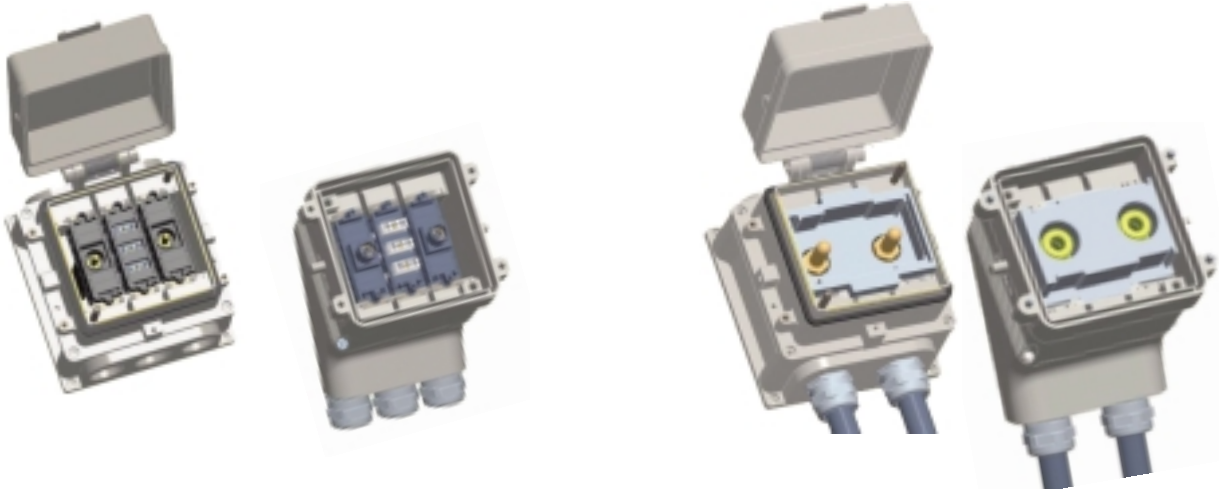


3 & 6 Power contacts Ø 7mm (I = 260Amps)



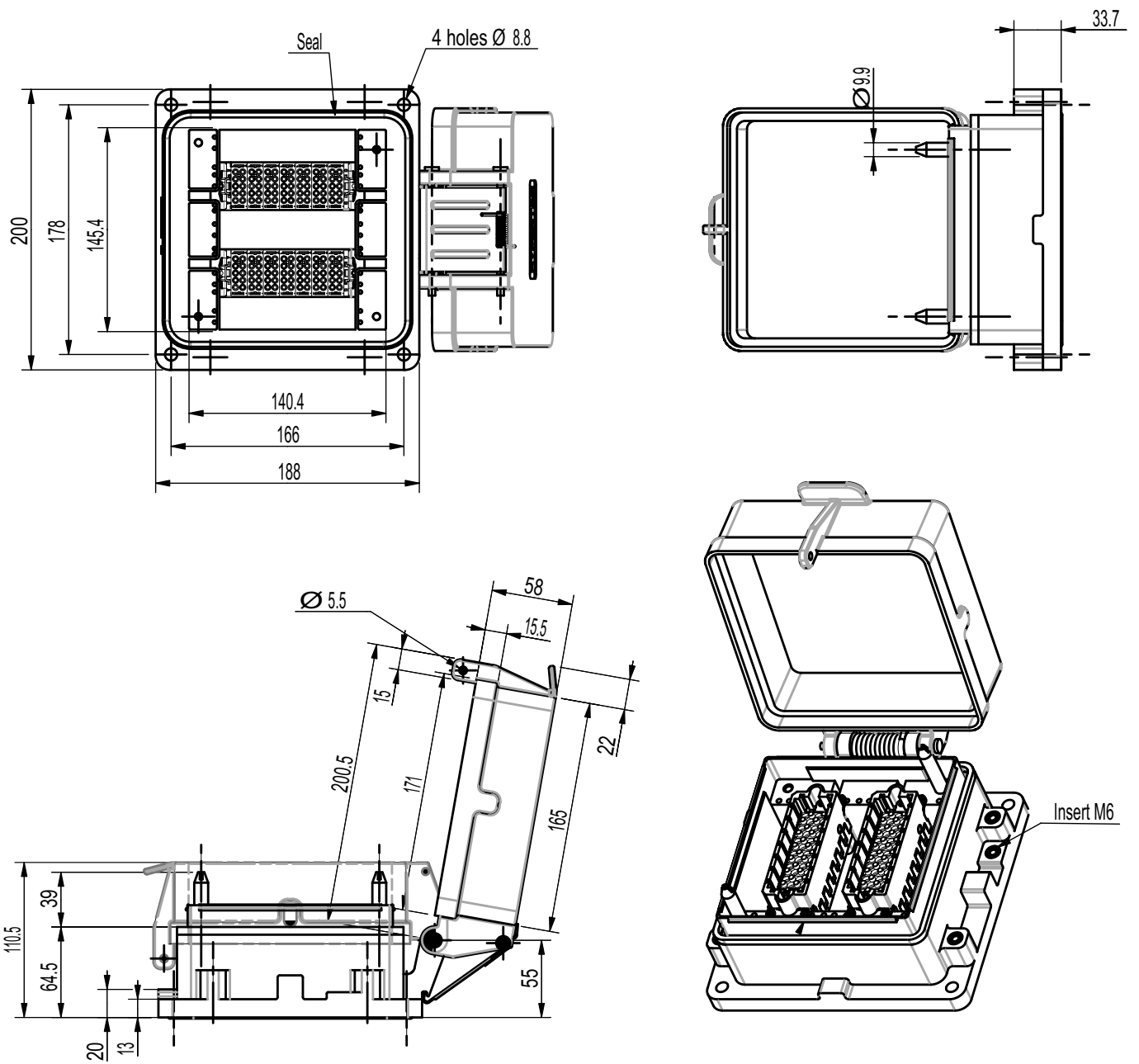
Mixed Power & Signal contacts

2 Power contacts Ø 15mm (I = 650Amps)



Dimensions are in mm

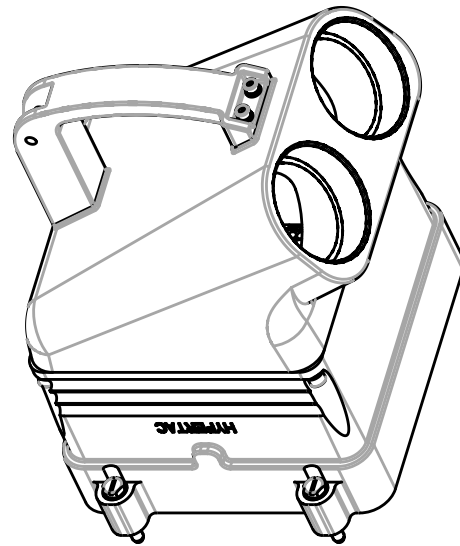
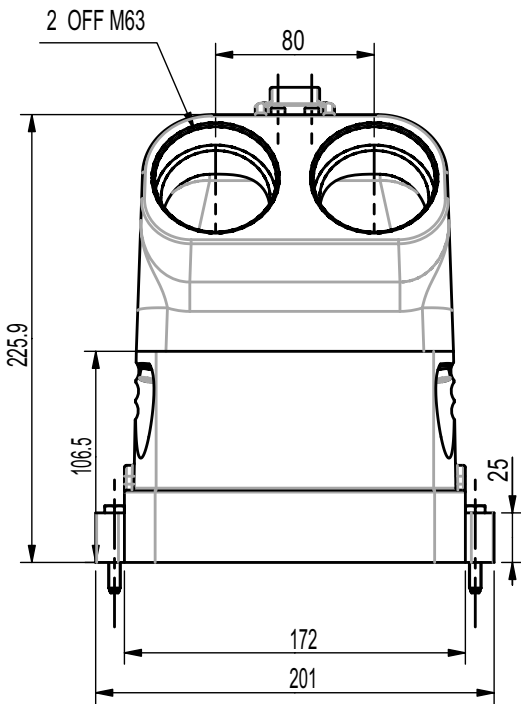
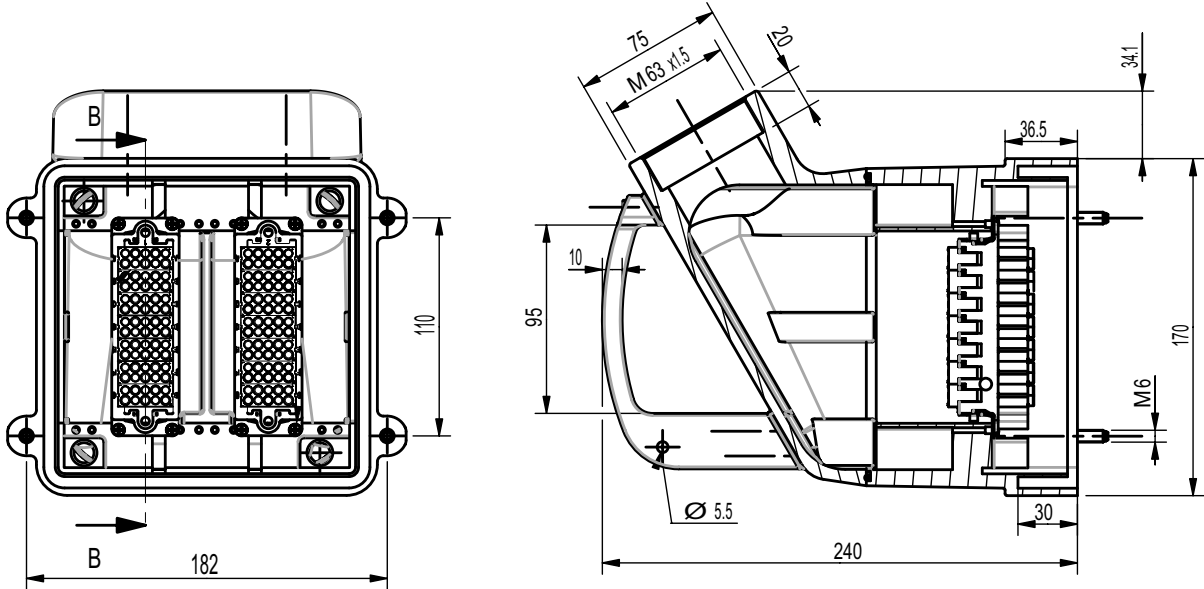
Receptacle dimensions



Dimensions are in mm

Plug dimensions

SECTION B-B



Dimensions are in mm