

## Stamped/rolled Hyperboloid Contacts

- 1.0 mm and 2.0 mm nominal pin DIA contact size
- Long life contacts. More than 500 mating cycles
- Delivered on reels for automatic line feeding (9000 / 4500 Contacts per reel acc. to contact size) or Hand tools (300 / 150).
- Compatible with turned HC contacts.
- Vibration test according to DIN EN 60512/item4 35g X/Y/Z sinusoidal for 50h each without contact interruption or change in contact resistance.
- Full range of crimping tools: applicators for all typical crimp devices; hand crimping tools for field installations.

### Technical Characteristics

	HCS™ 1 mm sockets	HCS™ 1 mm pins	HCS™ 2 mm sockets
<b>Materials &amp; finishes</b> Contact body: Contact Surface: Protection Sleeve:	Bronze – Tin bronze Selective Gold plating Stainless steel	Bronze – Tin bronze Selective Gold plating -	Bronze – Tin bronze Selective Gold plating Bronze – Tin bronze
<b>Mechanical Characteristics</b> Mating Cycles: Temperature range: Insert. & Extr. forces:	500 mini -40°C to +125°C < 4 N	500 mini -40°C to +125°C < 4 N	500 mini -40°C to +125°C < 6 N
<b>Electrical Data</b> Contact Resistance: Nominal current:	<5 mΩ 21 A <sup>(1)</sup> (in air) 8 A <sup>(1)</sup> (in application) (VDE 0113: 6 A <sup>(2)</sup> )	<5 mΩ 21 A <sup>(1)</sup> (in air) 8 A <sup>(1)</sup> (in application) (VDE 0113: 6 A <sup>(2)</sup> )	<3 mΩ 30 A <sup>(3)</sup> (in air) 22 A <sup>(3)</sup> (in application)

<sup>(1)</sup> Environmental temperature 20°C, connector assembled with 0.5 mm<sup>2</sup>

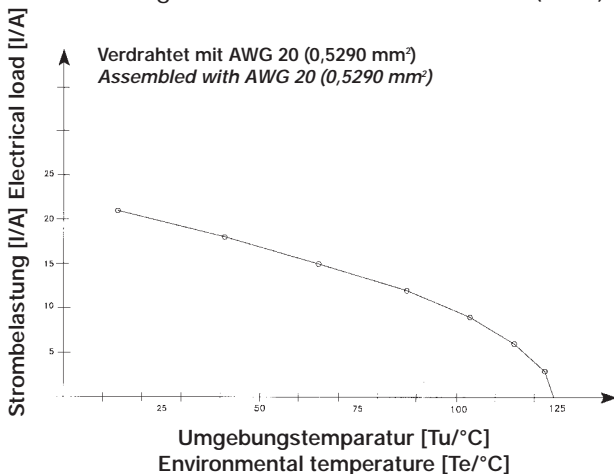
<sup>(2)</sup> Acc. VDE 0113 contact Ø 1mm assembled with 0.5 mm<sup>2</sup>

<sup>(3)</sup> Environmental temperature 20°C, connector assembled with 2.5 mm<sup>2</sup>

### Electrical Load

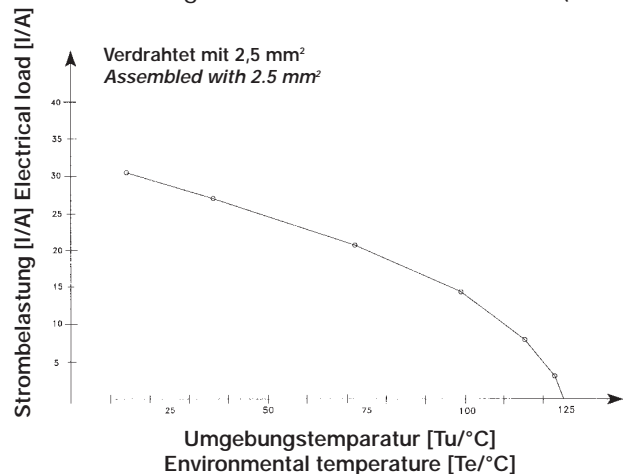
#### HCS™ Ø 1.0 mm

Derating curve acc. to DIN IEC 512/T3 (in air)

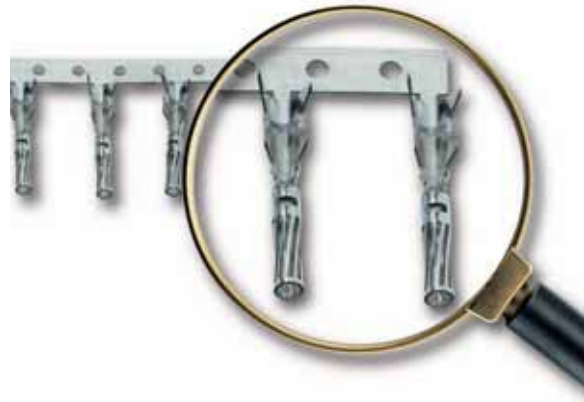
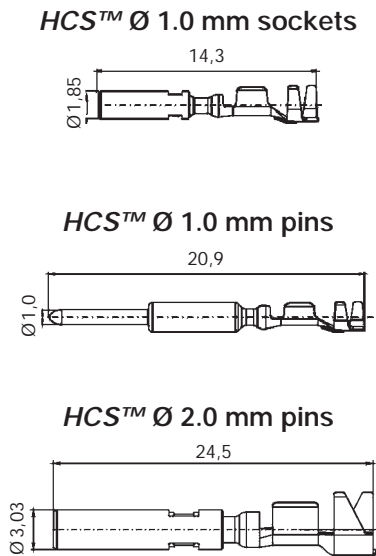


#### HCS™ Ø 2.0 mm

Derating curve acc. to DIN IEC 512/T3 (in air)



Layout



Ordering Information

**HCS™ Ø 1.0 mm Sockets**

Termination cross section	9000 contact reel	300 contact reel
AWG 32 - 28	020.000376.2000	020.000376.2000.A2
AWG 28 - 24	020.000377.2000	020.000377.2000.A2
AWG 24 - 20	020.000378.2000	020.000378.2000.A2
0.75 - 1.0 mm <sup>2</sup>	020.000379.2000	020.000379.2000.A2

**HCS™ Ø 1.0 mm Pins**

Termination cross section	9000 contact reel	300 contact reel
AWG 32 - 28	021.001005.1025	021.001005.1025.A2
AWG 28 - 24	021.001006.1025	021.001006.1025.A2
AWG 24 - 20	021.001007.1025	021.001007.1025.A2
0.75 - 1.0 mm <sup>2</sup>	021.001008.1025	021.001008.1025.A2

**HCS™ Ø 2.0 mm Sockets**

Termination cross section	4500 contact reel	150 contact reel
AWG 20 - 18	020.001001.2000	020.001001.2000.A2
AWG 18 - 14	020.001002.2000	020.001002.2000.A2
2.5 - 4.0 mm <sup>2</sup>	020.001003.2000	020.001003.2000.A2



Dimensions are in mm