



M23 Size 1 Stainless Steel Power Connectors

Approvals

Tested acc. to DIN EN 61984

Features

- Different types
- Variable cable clamp for cable dia. 7.7 – 14.5 mm
- Different terminations and cross sections
- Earth connection
- Vibration protection option

Advantages

- Smooth surfaces against contamination
- Resistant against oxidation and acid
- Operating in chemical, aggressive gas and wet environments
- UL certification available. Contact the factory for relevant part numbers

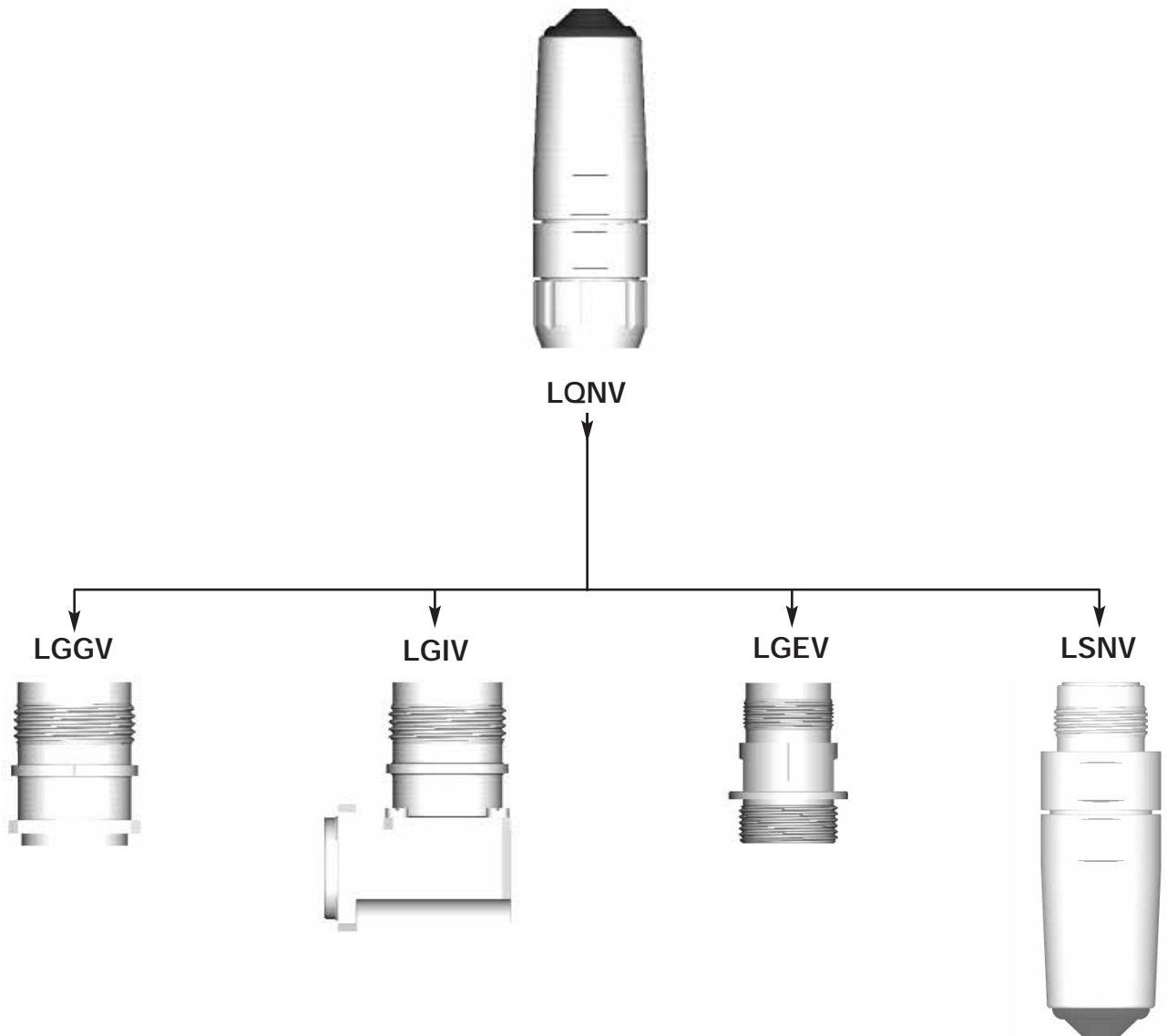
Markets

Stainless steel quality for applications under rough site conditions, for the foodstuff and beverage industry, maritime applications and for medical technology

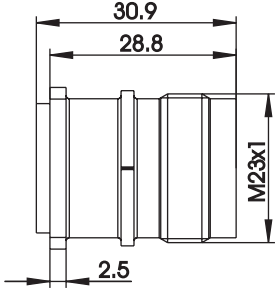
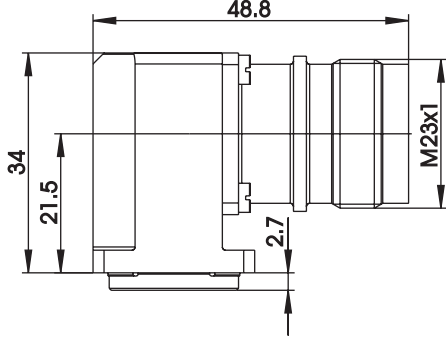
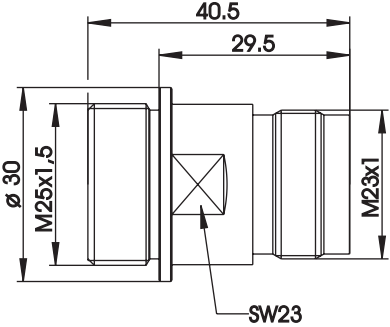
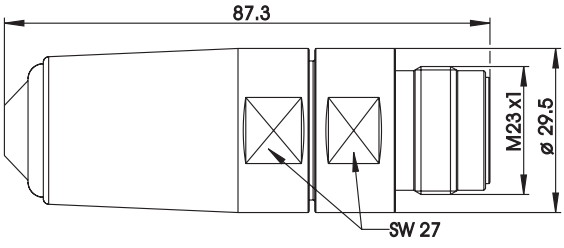
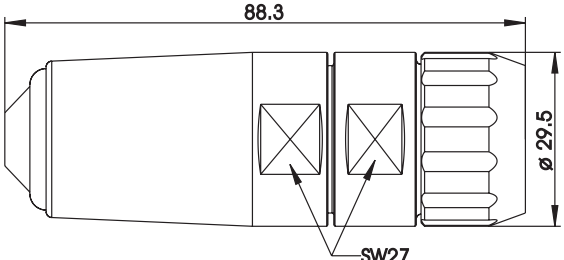
Technical Characteristics

Number of ways:	6way, 8way
Contact diameter:	6way (6 x 2mm) 8way (4 x 1mm + 4 x 2mm)
Nominal current / 20°C:	Ø 1mm 9 A Ø 2mm 22 A
Contact resistance:	Ø 1mm <5 mΩ Ø 2mm <3 mΩ
Connector life cycle	500 mating cycles
Rated impulse voltage:	Ø 1mm 2500 Vrms Ø 2mm 6000 Vrms
Max. operating voltage:	6way: Ø 2mm 630 V 8way: Ø 1mm 125 V; Ø 2mm 630 V
Operating temperature range:	-40°C to +125°C
Storage conditions:	-40 °C to +70 °C / humidity 40%
Insulation resistance	10 ¹³ Ωcm
Insulator material	PA, PBT
Contacts: a) material; b) plating	a) CuZn alloy; b) gold plated
Shell: a) material	a) stainless steel V2A 1.4305
Seals:	FKM, EPDM
IP code:	IP 67 (mated)
Contamination level:	3 (mated)
Over voltage category:	III
Installation altitude:	up to 2000m

Connector type overview

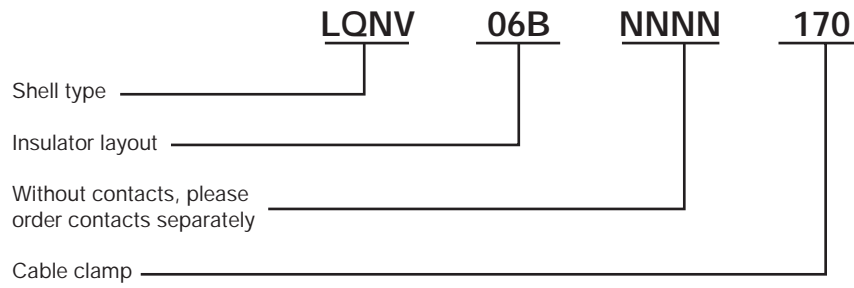


Connector dimensions

TYPE	DESCRIPTION	DRAWING
LGGV	Straight receptacle, with radial sealing to the device	
LGIV	Fixed angled receptacle, two parts, with radial sealing to the device	
LEGV	Straight receptacle, with radial sealing to the device, threaded connection M 25 x 1,5	
LSNV	Extension with variable shield connection and variable cable clamp	
LQNV	Plug with variable shield connection and variable cable clamp	

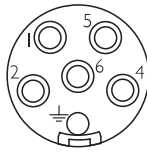
Dimensions are in mm

Ordering information guide



Ordering Information

Receptacle 6way
(6 x 2mm)

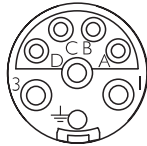


06A

Insulator seen from wired side

Connectors including insulator	Part numbers
Straight receptacle, with radial sealing to the device	LGGV06ANNNN000
Fixed angled receptacle, two parts, with radial sealing to the device	LGIV06ANNNN000
Straight receptacle with radial sealing to the device, threaded connection M25 x 1,5	LEGV06ANNNN000
Contacts <i>please order separately</i>	Part numbers
Crimp pin Ø 2 mm, 0,5 – 1,5 mm ² , AWG 20-16	021.101.2000
Crimp pin Ø 2 mm, 0,75 – 2,5 mm ² , AWG 18-14	021.147.2000
Tools <i>please order separately</i>	Part numbers
Crimping tool Ø 2 mm	B 151
Positioner Ø 2 mm	B 157
Insertion tool Ø 2 mm	B 117
Extraction tool Ø 2 mm	B 037/A

Receptacle 8way
(4 x 1mm + 4 x 2 mm)



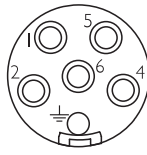
08A

Insulator seen from wired side

Connectors including insulator	Part numbers
Straight receptacle, with radial sealing to the device	LGGV08ANNNN000
Fixed angled receptacle, two parts, with radial sealing to the device	LGIV08ANNNN000
Straight receptacle with radial sealing to the device, threaded connection M25 x 1,5	LEGV08ANNNN000
Contacts <i>please order separately</i>	Part numbers
Crimp pin Ø 1 mm, 0,24 – 1 mm ² , AWG 24-18	021.129.1020
Crimp pin Ø 2 mm, 0,5 – 1,5 mm ² , AWG 20-16	021.101.2000
Crimp pin Ø 2 mm, 0,75 – 2,5 mm ² , AWG 18-14	021.147.2000
Tools <i>please order separately</i>	Part numbers
Crimping tool Ø 1 mm + 2 mm	B 151
Positioner Ø 1 mm	B 156
Positioner Ø 2 mm	B 157
Insertion tool Ø 1 mm	B 118
Insertion tool Ø 2 mm	B 117
Extraction tool Ø 1 mm	B 038/A
Extraction tool Ø 2 mm	B 037/A

Ordering Information

Extension 6way
(6 x 2 mm)

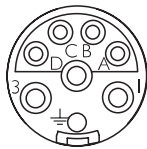


Insulator seen from wired side

06A

Connectors including insulator and cable clamp	Part numbers
Extension with variable shield connection and variable cable clamp	LSNV06ANNNN170
Contacts <i>please order separately</i>	Part numbers
Crimp pin Ø 2 mm, 1,5 – 2,5 mm ² , AWG 16-14	021.279.1020
Tools <i>please order separately</i>	Part numbers
Crimping tool Ø 2 mm	B 151
Positioner Ø 2 mm	B 165

Extension 8way
(4 x 1 mm + 4 x 2 mm)

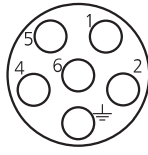


Insulator seen from wired side

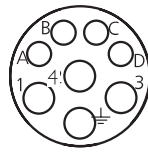
08A

Connectors including insulator and cable clamp	Part numbers
Extension with variable shield connection and variable cable clamp	LSNV08ANNNN170
Contacts <i>please order separately</i>	Part numbers
Crimp pin Ø 1 mm, 0,24 – 1 mm ² , AWG 24-18	021.129.1020
Crimp pin Ø 2 mm, 1,5 – 2,5 mm ² , AWG 16-14	021.279.1020
Tools <i>please order separately</i>	Part numbers
Crimping tool Ø 1 mm + 2 mm	B 151
Positioner Ø 1 mm	B 156
Positioner Ø 2 mm	B 165
Insertion tool Ø 1 mm	B 118
Extraction tool Ø 1 mm	B 038/A

Ordering Information

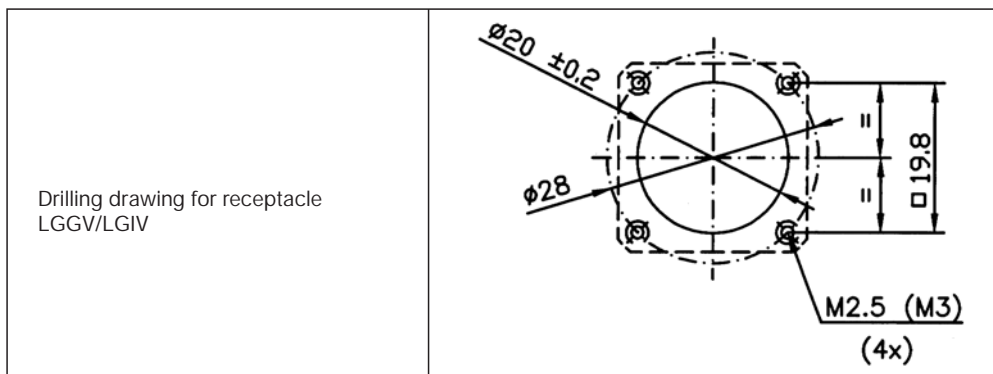
Plug 6way
 (6 x 2mm)

06B
Insulator seen from wired side

Connectors including insulator and cable clamp	Part numbers
Plug with variable shield connection and variable cable clamp	LQNV06BNNNN170
Contacts <i>please order separately</i>	Part numbers
Crimp socket Ø 2 mm, 0,5 – 1,5 mm ² , AWG 20-16	020.090.1020
Crimp socket Ø 2 mm, 0,75 – 2,5 mm ² , AWG 18-14	020.105.1020
Tools <i>please order separately</i>	Part numbers
Crimp tool Ø 2mm	B 151
Positioner Ø 2mm	B 157






Plug 8way
 (4 x 1mm + 4 x 2 mm)

08B
Insulator seen from wired side

Connectors including insulator and cable clamp	Part numbers
Plug with variable shield connection and variable cable clamp	LQNV08BNNNN170
Contacts <i>please order separately</i>	Part numbers
Crimp socket Ø 1 mm, 0,24 – 1 mm ² , AWG 24-18	020.232.2000
Crimp socket Ø 2 mm, 0,5 – 1,5 mm ² , AWG 20-16	020.090.2000
Crimp socket Ø 2 mm, 0,75 – 2,5 mm ² , AWG 18-14	020.105.2000
Tools	Part numbers
Crimp tool Ø 1 mm + 2mm	B 151
Positioner Ø 1 mm	B 252
Positioner Ø 2mm	B 157
Insertion tool Ø 1 mm	B 118
Extraction tool Ø 1 mm	B 056/A

Mounting styles / dimensions



Accessories

Crimp tools	Positioner	Insertion/extraction tools
 <p>B151</p>	 <p>B 156, B 157, B 165, B 252</p>	 <p>B117</p>  <p>B118</p>  <p>B 037/A, B038/A, B056/A</p>

Other accessories

 <p>Thread protection cap</p>	<p>Part number:</p> <p>031.287.1000 (short version)</p> <p>031.405.1000 (long version)</p>
------------------------------------------------------------------------------------------------------------------	--------------------------------------------------------------------------------------------