



HyperSpring® contact

- Spring loaded contact with Hyperboloid socket
- Available with Hypertac Coax, Power and Signal Contact
- Suitable for low height PCB Interconnect, and high density applications
- Provides cleaning contact action on harsh connection environment
- Provides reliable connection: mechanical provided by internal spring and electrical provided by internal pin and socket mating
- Easy replacement and maintenance
- Connection test system for microchip wafer testing
- Suitable for Medical, Military, Defence, and Test & Measurement Markets

Technical Index

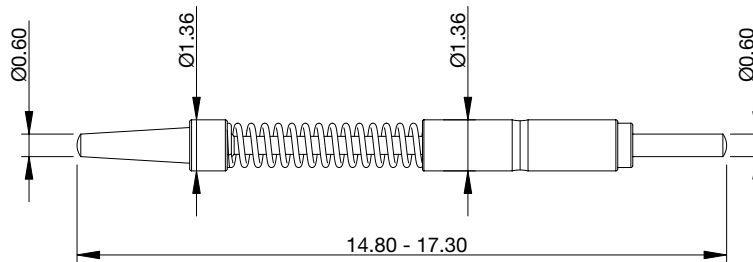
Contact Dia	0.50mm	0.60mm	0.76mm
Current Rating	3 A	3 A	8 A
Spring Force	Max 180 g	120 g	200 g
Contact Resistance	< 20 mΩ	< 10 mΩ	< 8 mΩ
Mating Cycles	100,000	100,000	100,000

Contact Material

- Non functional parts	Brass plated with Au or Ni
- Spring contact element	CuBe plated with 1.27 μm Au
- Spring element	Stainless steel AISI 302 passivated
- Interface pin connection	Bronze or Cube plated with 1.27 μm Au
- Plug contact terminations	Brass or Bronze plated with 1.27 μm Au

0.50 mm contact – Double travel termination

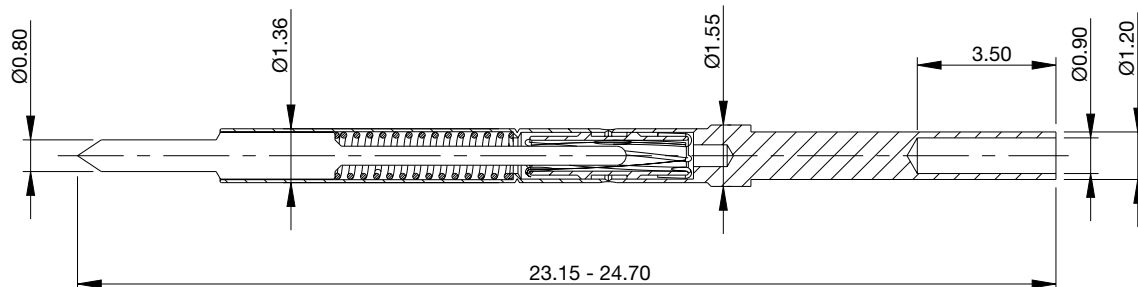
Male Spring contact



Order ref. 23235

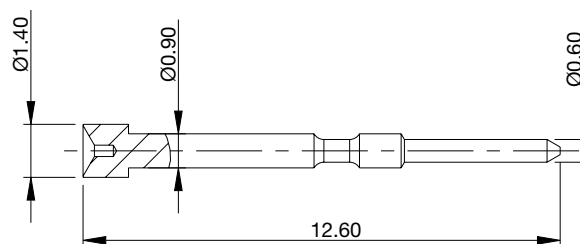
0.50 mm contact – Solder cup termination AWG 28-24

Male Spring contact



Order ref. 22703

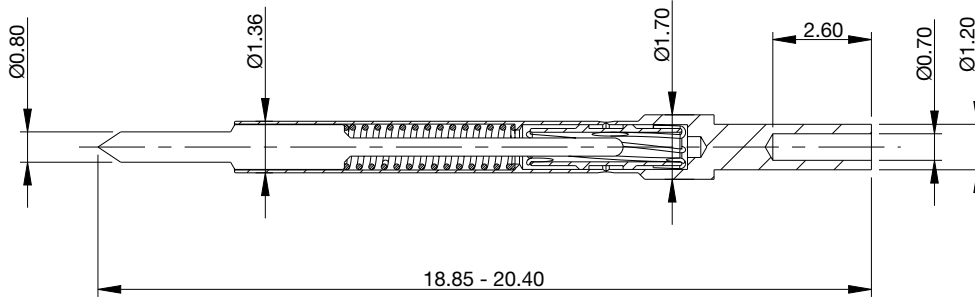
Female contact



Order ref. 22708

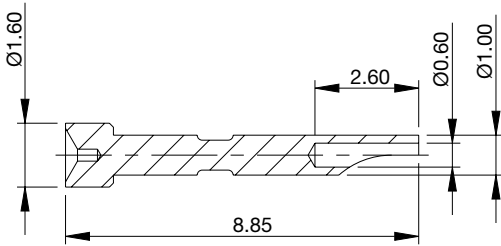
0.50 mm contact – Solder cup termination AWG 30-28

Male Spring contact

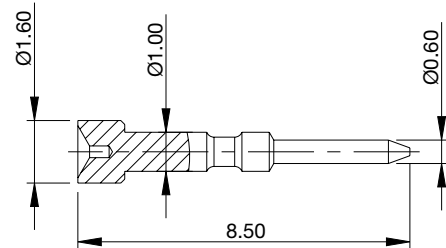


Order ref. 22709

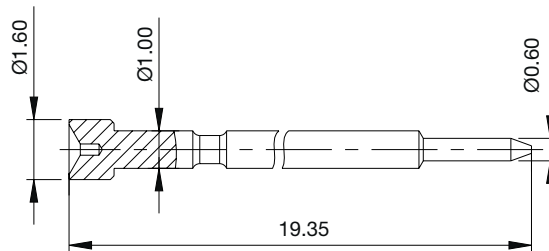
Female contact



Order ref. 22712



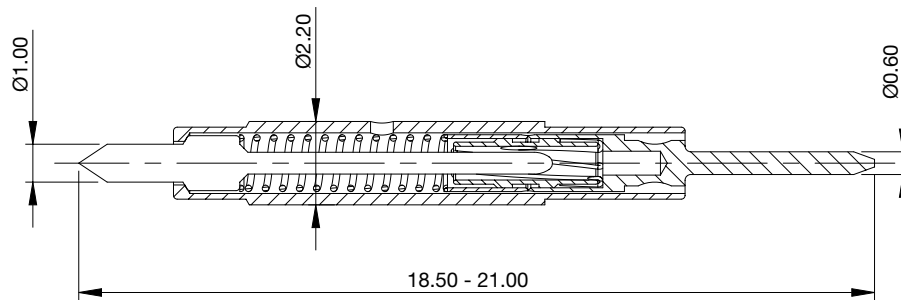
Order ref. 22950



Order ref. 23046

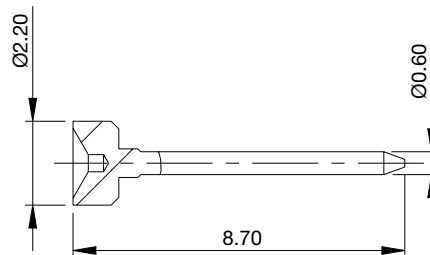
0.60 mm contact – Straight termination

Male Spring contact



Order ref. 22105

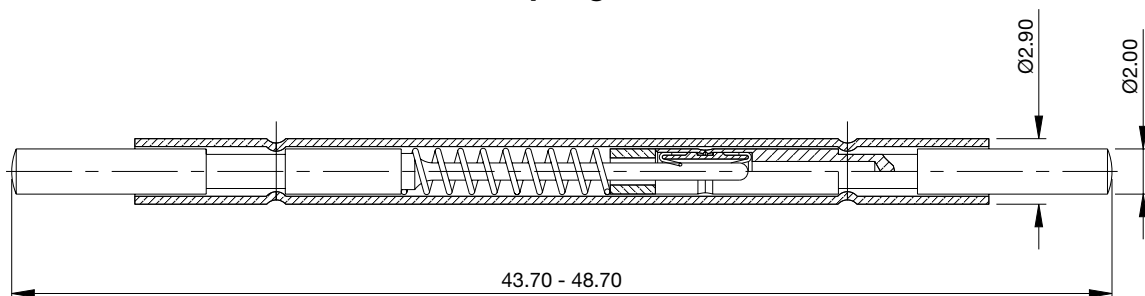
Female contact



Order ref. 22113

0.76 mm contact – double travel termination

Male Spring contact



Order ref. 21464